



# EZ Measure Form

Ordering a replacement cylinder is easy. You can use our catalogues to confirm dimensions against the old cylinder and select your own model number or use the sheets below. These sheets show only the critical dimensions needed to measure a cylinder.

- 1 - Determine if cylinder is dimensionally an Air "AA" or Medium Duty "MH" or Heavy Duty Hydraulic "HD". The "E" dimension combined with the bore will indicate this. Note: Air and Medium Duty Hydraulic are dimensionally the same. Inside the seals are different so Service must be specified.
- 2 - Measure the rod thread.
- 3 - Select the mount from below and fill in the required key dimensions
- 4 - Determine port size NPT or SAE (others are available as a special)
- 5 - Determine port location by using the drawings below. Use the numbers on the end view 1, 2, 3 or 4 to indicate which side of the caps the ports are as viewed from the rod end. (rod facing you)

Complete the form by entering the Rod Thread and applicable Mounting dimensions and fax to Higginson at 905-335-8756. We will fax you back the model number, price and delivery.

Company Name \_\_\_\_\_

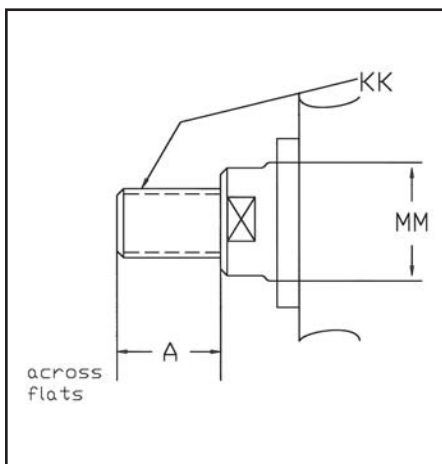
Address \_\_\_\_\_

Contact Name \_\_\_\_\_

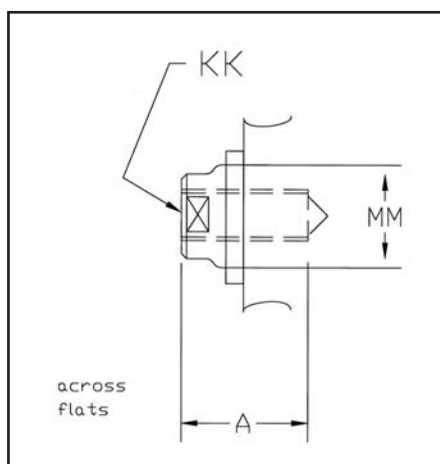
Tel: \_\_\_\_\_ Fax: \_\_\_\_\_

Quantity \_\_\_\_\_ Service Air \_\_\_\_\_ MD Hyd. \_\_\_\_\_ HD Hyd. \_\_\_\_\_

## Rod Thread



Type A  
Male



Type B  
Female

### MEASUREMENTS

A \_\_\_\_\_

KK \_\_\_\_\_

MM \_\_\_\_\_

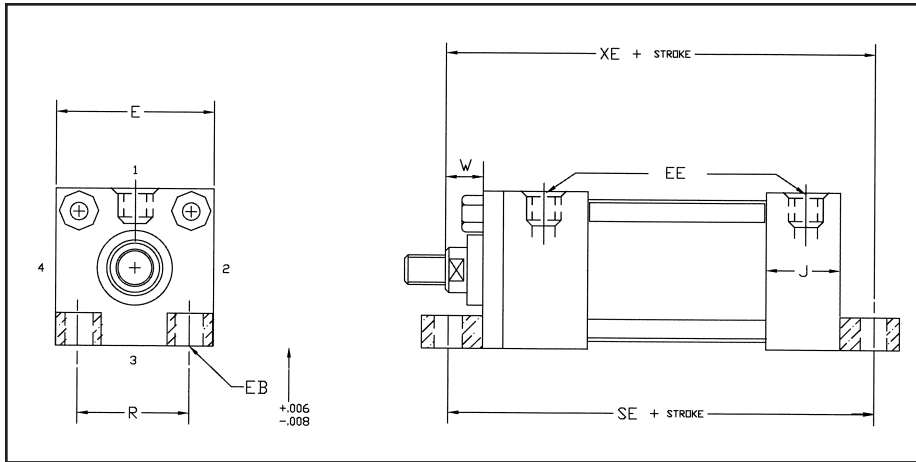




# EZ Measure Form

## Mounting

## MS7 End Lugs



### MEASUREMENTS

E \_\_\_\_\_

EB \_\_\_\_\_

EE \_\_\_\_\_

EE Location \_\_\_\_\_

R \_\_\_\_\_

SE\* \_\_\_\_\_

XE\* \_\_\_\_\_

W \_\_\_\_\_

Bore \_\_\_\_\_

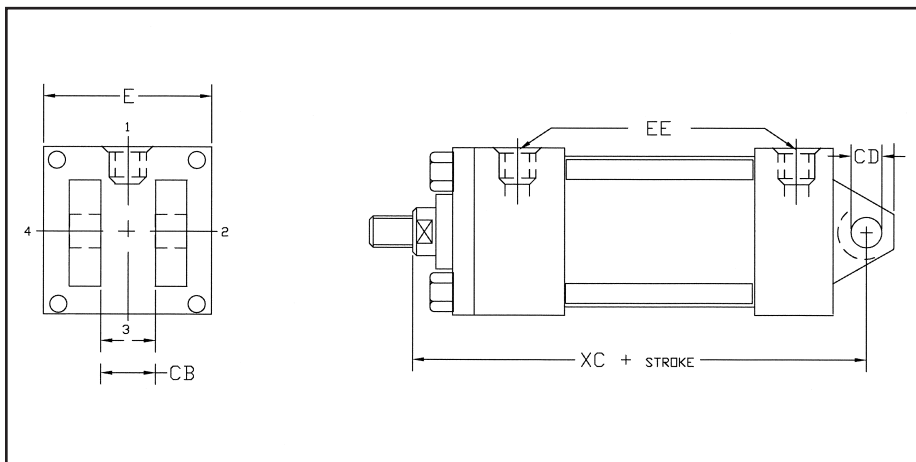
Stroke \_\_\_\_\_

Cushions (y/n) \_\_\_\_\_

\* Includes Stroke

## Mounting

## MP1 Cap Fixed Clevis



### MEASUREMENTS

E \_\_\_\_\_

EE \_\_\_\_\_

EE Location \_\_\_\_\_

CB \_\_\_\_\_

CD \_\_\_\_\_

XC\* \_\_\_\_\_

Bore \_\_\_\_\_

Stroke \_\_\_\_\_

Cushions (y/n) \_\_\_\_\_

\* Includes Stroke

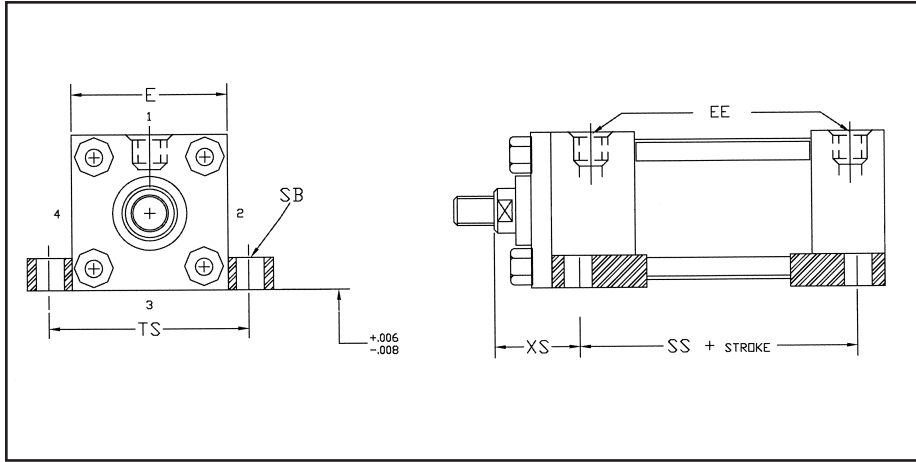




# EZ Measure Form

## Mounting

## MS2 Side Lug



### MEASUREMENTS

E \_\_\_\_\_

EE \_\_\_\_\_

EE Location \_\_\_\_\_

TS \_\_\_\_\_

SB \_\_\_\_\_

SS\* \_\_\_\_\_

XS \_\_\_\_\_

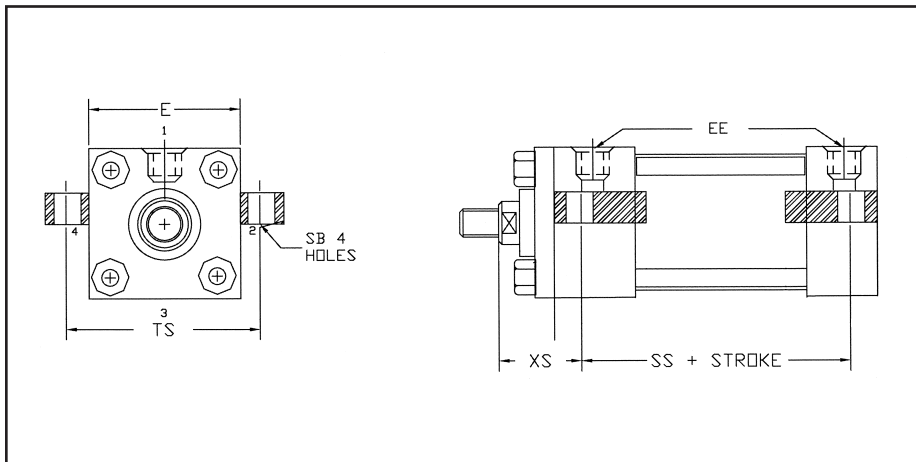
Bore \_\_\_\_\_

Stroke \_\_\_\_\_

Cushions (y/n) \_\_\_\_\_

\* Includes Stroke

## Mounting MS3 Centreline Lug (HD hydraulic only)



### MEASUREMENTS

E \_\_\_\_\_

EE \_\_\_\_\_

EE Location \_\_\_\_\_

TS \_\_\_\_\_

SB \_\_\_\_\_

SS\* \_\_\_\_\_

XS \_\_\_\_\_

Bore \_\_\_\_\_

Stroke \_\_\_\_\_

Cushions (y/n) \_\_\_\_\_

\* Includes Stroke

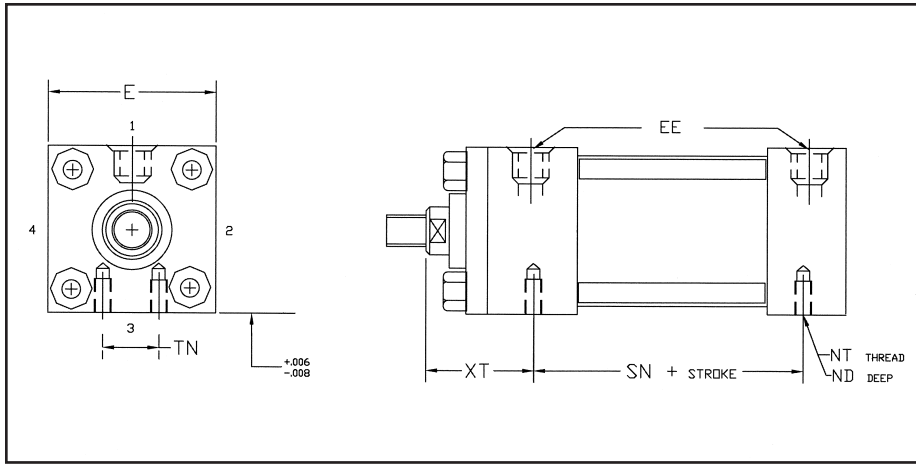




# EZ Measure Form

## Mounting

## MS4 Side Tapped



### MEASUREMENTS

E \_\_\_\_\_

EE \_\_\_\_\_

EE Location \_\_\_\_\_

ND \_\_\_\_\_

NT \_\_\_\_\_

SN\* \_\_\_\_\_

TN \_\_\_\_\_

XT \_\_\_\_\_

Bore \_\_\_\_\_

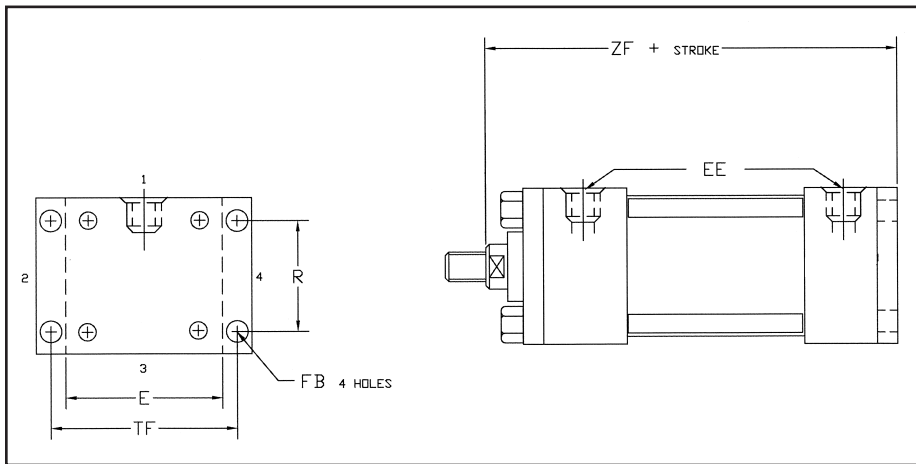
Stroke \_\_\_\_\_

Cushions (y/n) \_\_\_\_\_

\* Includes Stroke

## Mounting

## MF2 Cap Rectangular Flange



### MEASUREMENTS

E \_\_\_\_\_

EE \_\_\_\_\_

EE Location \_\_\_\_\_

R \_\_\_\_\_

TF \_\_\_\_\_

ZF\* \_\_\_\_\_

Bore \_\_\_\_\_

Stroke \_\_\_\_\_

Cushions (y/n) \_\_\_\_\_

\* Includes Stroke

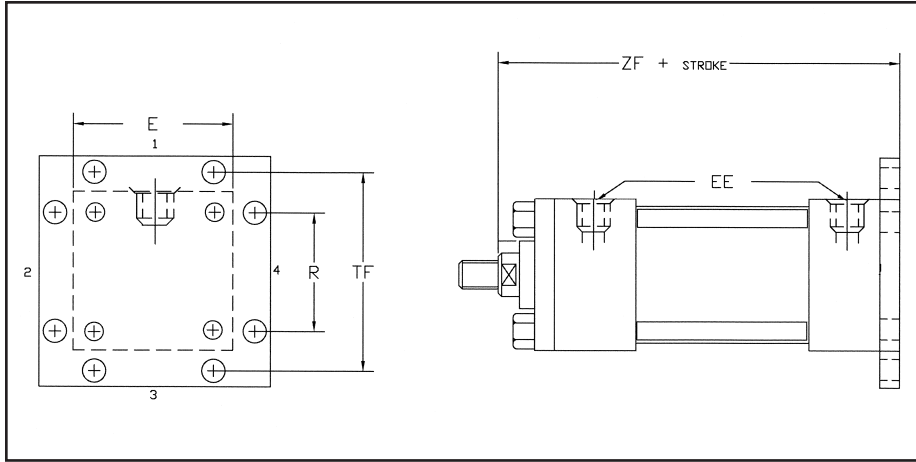




# EZ Measure Form

## Mounting

### MF6 Cap Square Flange



#### MEASUREMENTS

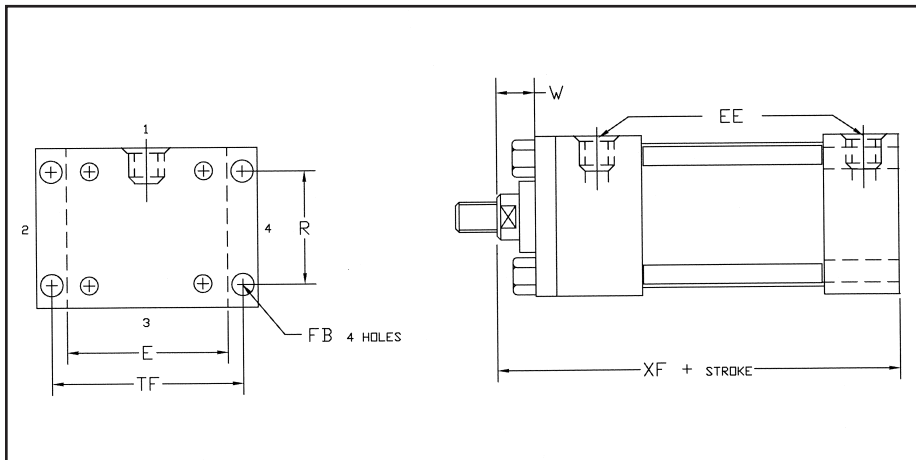
- E \_\_\_\_\_
- EE \_\_\_\_\_
- EE Location \_\_\_\_\_
- R \_\_\_\_\_
- TF \_\_\_\_\_
- ZF\* \_\_\_\_\_
- Bore \_\_\_\_\_
- Stroke \_\_\_\_\_
- Cushions (y/n) \_\_\_\_\_

\* Includes Stroke

### ME6 Cap Rectangular

## Mounting

### Heavy Duty Flange (HD hydraulic only)



#### MEASUREMENTS

- E \_\_\_\_\_
- EE \_\_\_\_\_
- EE Location \_\_\_\_\_
- FB \_\_\_\_\_
- R \_\_\_\_\_
- TF \_\_\_\_\_
- W \_\_\_\_\_
- XF\* \_\_\_\_\_
- Bore \_\_\_\_\_
- Stroke \_\_\_\_\_
- Cushions (y/n) \_\_\_\_\_

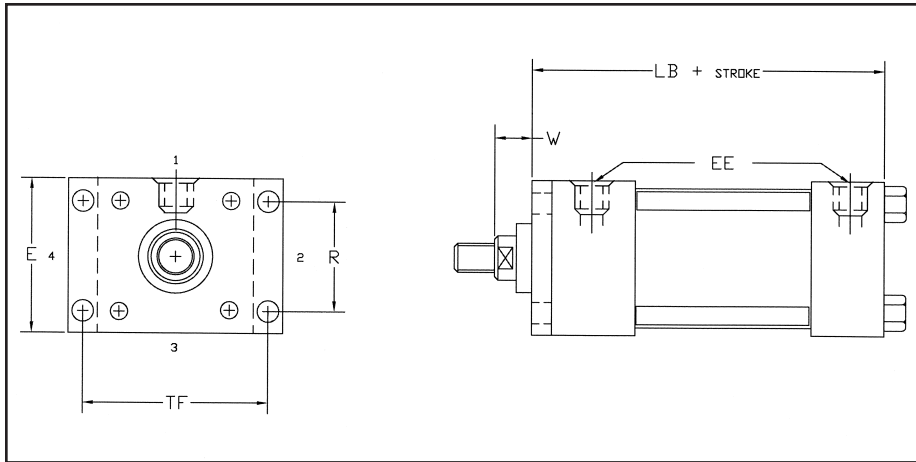
\* Includes Stroke





# EZ Measure Form

## Mounting MF1 Head Rectangular Flange

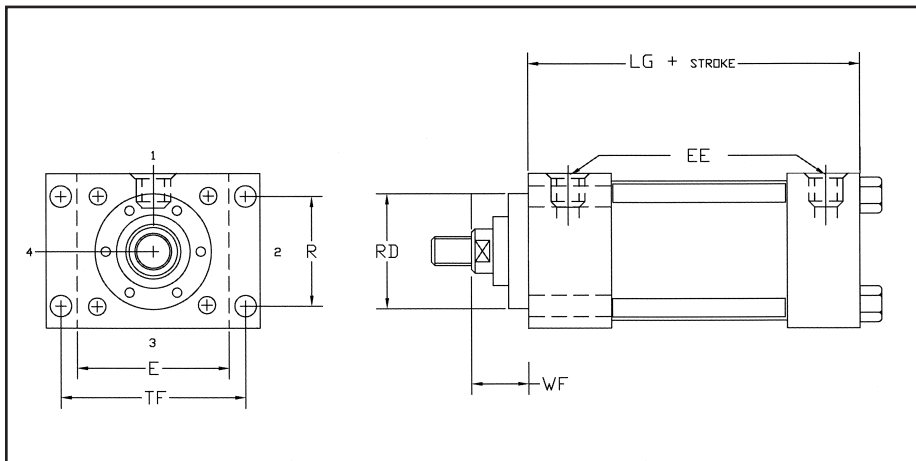


### MEASUREMENTS

- E \_\_\_\_\_
- EE \_\_\_\_\_
- EE Location \_\_\_\_\_
- R \_\_\_\_\_
- TF \_\_\_\_\_
- W \_\_\_\_\_
- LB\* \_\_\_\_\_
- Bore \_\_\_\_\_
- Stroke \_\_\_\_\_
- Cushions (y/n) \_\_\_\_\_

\* Includes Stroke

## Mounting ME5 Head Rectangular Heavy Duty Flange (HD hydraulic only)



### MEASUREMENTS

- E \_\_\_\_\_
- EE \_\_\_\_\_
- EE Location \_\_\_\_\_
- LG\* \_\_\_\_\_
- R \_\_\_\_\_
- TF \_\_\_\_\_
- RD \_\_\_\_\_
- WF \_\_\_\_\_
- Bore \_\_\_\_\_
- Stroke \_\_\_\_\_
- Cushions (y/n) \_\_\_\_\_

\* Includes Stroke

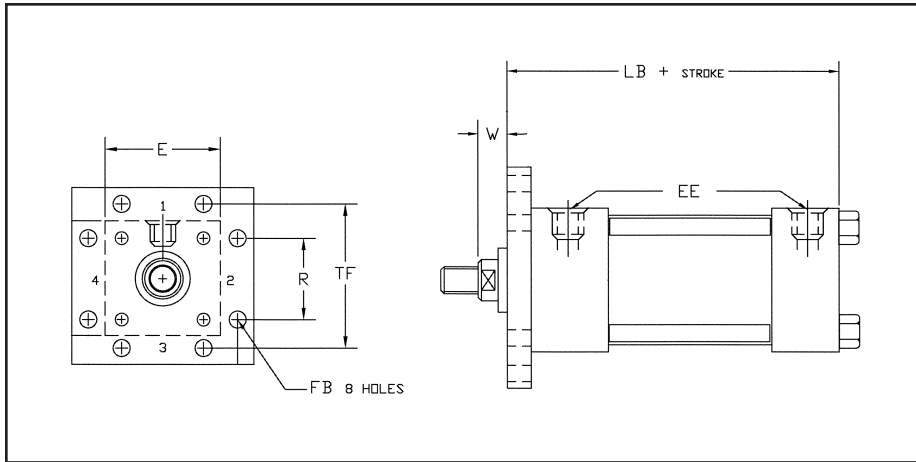




# EZ Measure Form

## Mounting

## MF5 Head Square Flange



### MEASUREMENTS

E \_\_\_\_\_

EE \_\_\_\_\_

EE Location \_\_\_\_\_

LB\* \_\_\_\_\_

R \_\_\_\_\_

TF \_\_\_\_\_

W \_\_\_\_\_

Bore \_\_\_\_\_

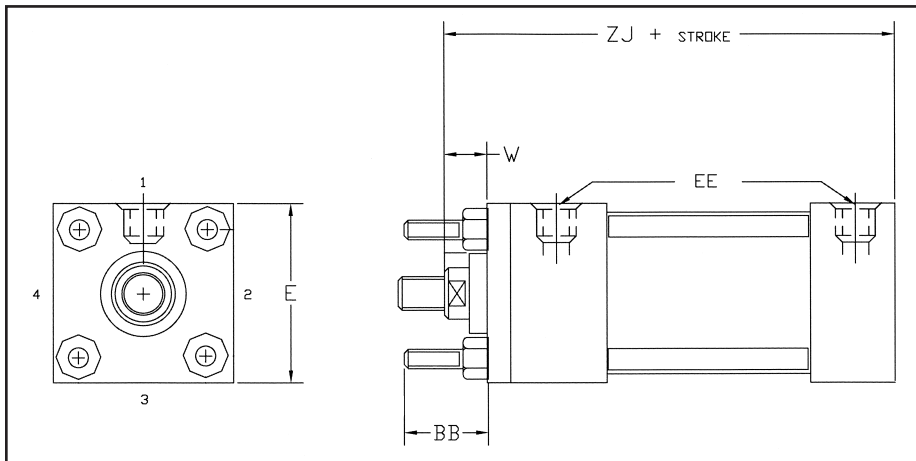
Stroke \_\_\_\_\_

Cushions (y/n) \_\_\_\_\_

\* Includes Stroke

## Mounting

## MX3 Tie Rods Extended Head End



### MEASUREMENTS

BB \_\_\_\_\_

E \_\_\_\_\_

EE \_\_\_\_\_

EE Location \_\_\_\_\_

W \_\_\_\_\_

ZJ\* \_\_\_\_\_

Bore \_\_\_\_\_

Stroke \_\_\_\_\_

Cushions (y/n) \_\_\_\_\_

\* Includes Stroke

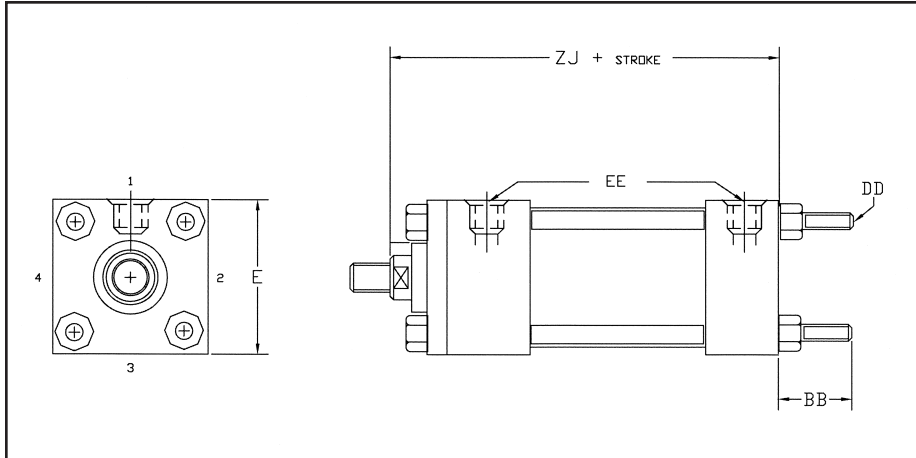




# EZ Measure Form

## Mounting

## MX2 Tie Rods Extended Cap End



### MEASUREMENTS

BB \_\_\_\_\_

DD \_\_\_\_\_

E \_\_\_\_\_

EE \_\_\_\_\_

EE Location \_\_\_\_\_

ZJ\* \_\_\_\_\_

Bore \_\_\_\_\_

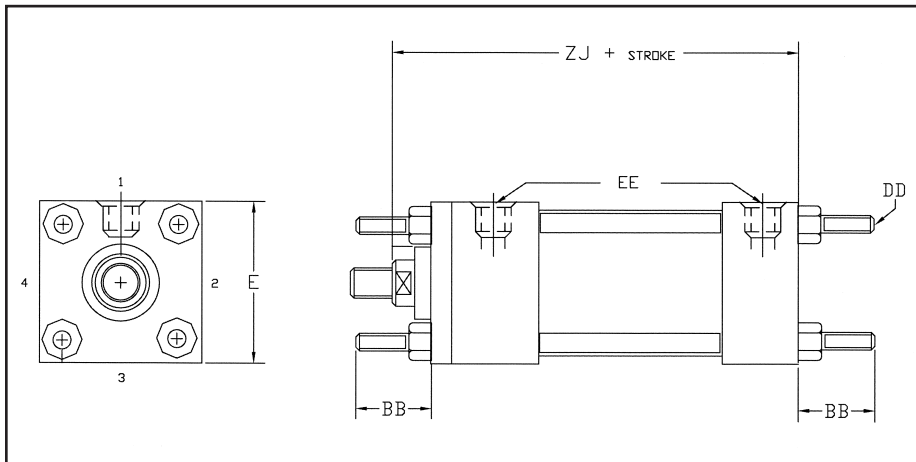
Stroke \_\_\_\_\_

Cushions (y/n) \_\_\_\_\_

\* Includes Stroke

## Mounting

## MX1 Tie Rods Extended Both Ends



### MEASUREMENTS

BB \_\_\_\_\_

DD \_\_\_\_\_

E \_\_\_\_\_

EE \_\_\_\_\_

EE Location \_\_\_\_\_

ZJ\* \_\_\_\_\_

Bore \_\_\_\_\_

Stroke \_\_\_\_\_

Cushions (y/n) \_\_\_\_\_

\* Includes Stroke

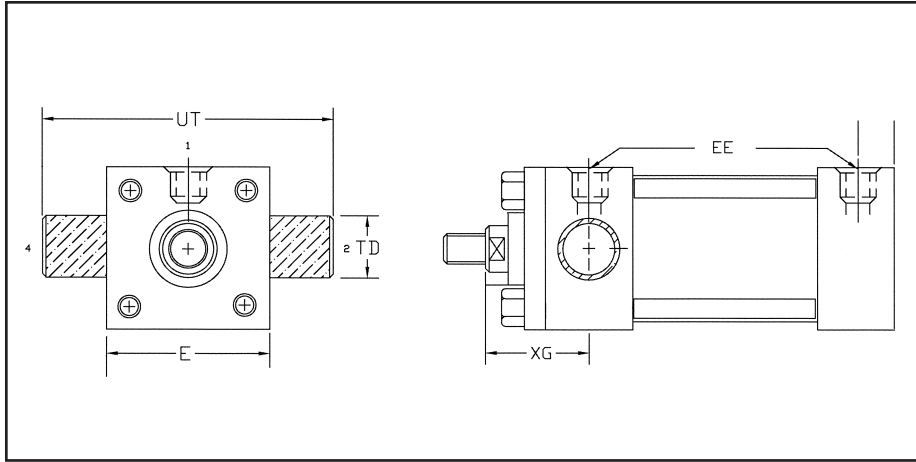




# EZ Measure Form

## Mounting

## MT1 Head Trunnion



### MEASUREMENTS

E \_\_\_\_\_

EE \_\_\_\_\_

EE Location \_\_\_\_\_

TD \_\_\_\_\_

UT \_\_\_\_\_

XG \_\_\_\_\_

Bore \_\_\_\_\_

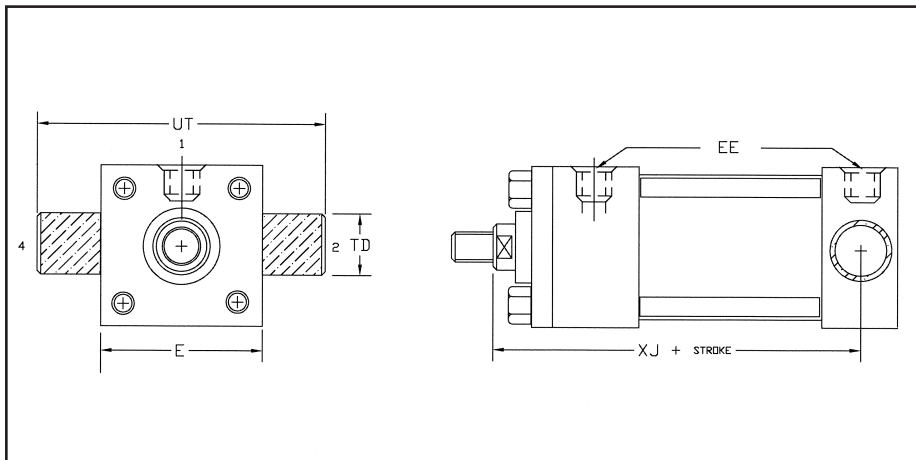
Stroke \_\_\_\_\_

Cushions (y/n) \_\_\_\_\_

\* Includes Stroke

## Mounting

## MT2 Cap Trunnion



### MEASUREMENTS

E \_\_\_\_\_

EE \_\_\_\_\_

EE Location \_\_\_\_\_

TD \_\_\_\_\_

UT \_\_\_\_\_

XJ\* \_\_\_\_\_

Bore \_\_\_\_\_

Stroke \_\_\_\_\_

Cushions (y/n) \_\_\_\_\_

\* Includes Stroke

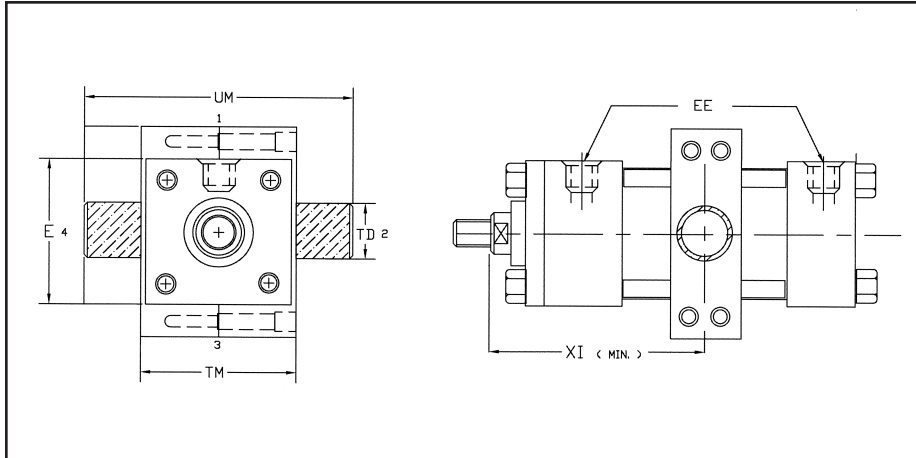




# EZ Measure Form

## MT4 Intermediate Fixed Trunnion

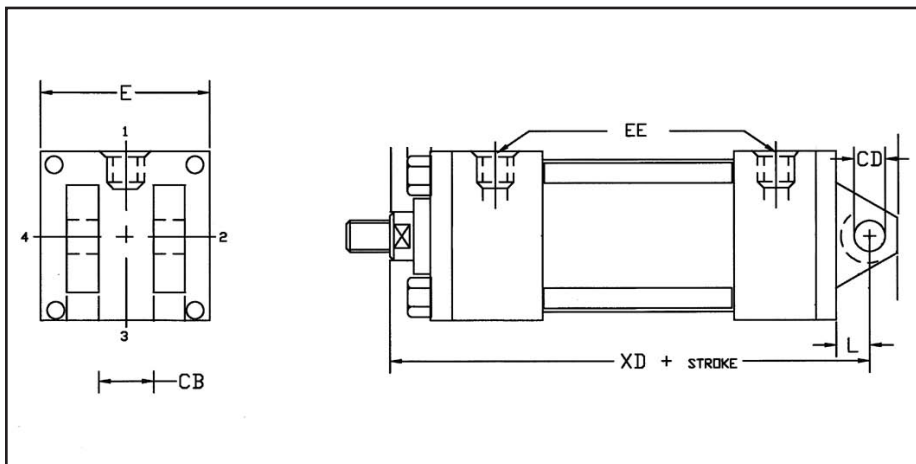
### Mounting



### MEASUREMENTS

- E \_\_\_\_\_
- EE \_\_\_\_\_
- EE Location \_\_\_\_\_
- TD \_\_\_\_\_
- TM \_\_\_\_\_
- UM \_\_\_\_\_
- XI \_\_\_\_\_
- Bore \_\_\_\_\_
- Stroke \_\_\_\_\_
- Cushions (y/n) \_\_\_\_\_
- \* Includes Stroke

### Mounting MP2 NFPA Style (Code 10), (usually air only)



Note: Bolt on clevis included can also use MP1 mount with Rod Extension

### MEASUREMENTS

- E \_\_\_\_\_
- EE \_\_\_\_\_
- EE Location \_\_\_\_\_
- CB \_\_\_\_\_
- CD \_\_\_\_\_
- XD\* \_\_\_\_\_
- Bore \_\_\_\_\_
- Stroke \_\_\_\_\_
- Cushions (y/n) \_\_\_\_\_
- \* Includes Stroke

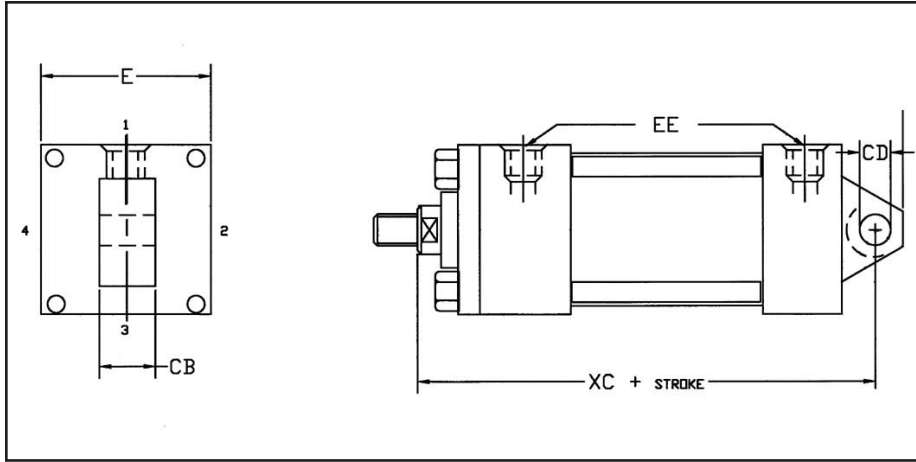




# EZ Measure Form

## Mounting

### MP3 NFPA Style (Code 13), (air only)



#### MEASUREMENTS

E \_\_\_\_\_

EE \_\_\_\_\_

EE Location \_\_\_\_\_

CB \_\_\_\_\_

CD \_\_\_\_\_

XC\* \_\_\_\_\_

Bore \_\_\_\_\_

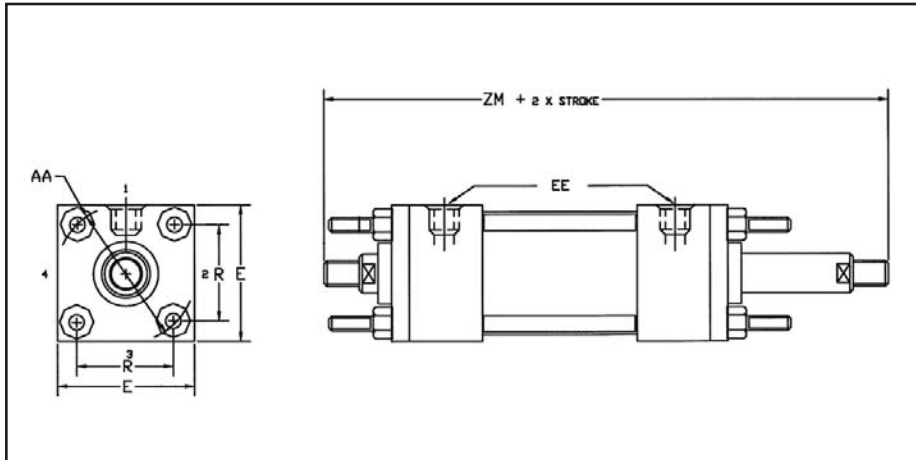
Stroke \_\_\_\_\_

Cushions (y/n) \_\_\_\_\_

\* Includes Stroke

## Mounting

### MDX1 NFPA Style (Code 20)



#### MEASUREMENTS

E \_\_\_\_\_

EE \_\_\_\_\_

EE Location \_\_\_\_\_

ZM\* \_\_\_\_\_

Bore \_\_\_\_\_

Stroke \_\_\_\_\_

Cushions (y/n) \_\_\_\_\_

\* Includes Stroke

Note: Specify mounting style and also fill in those mounting dimensions.

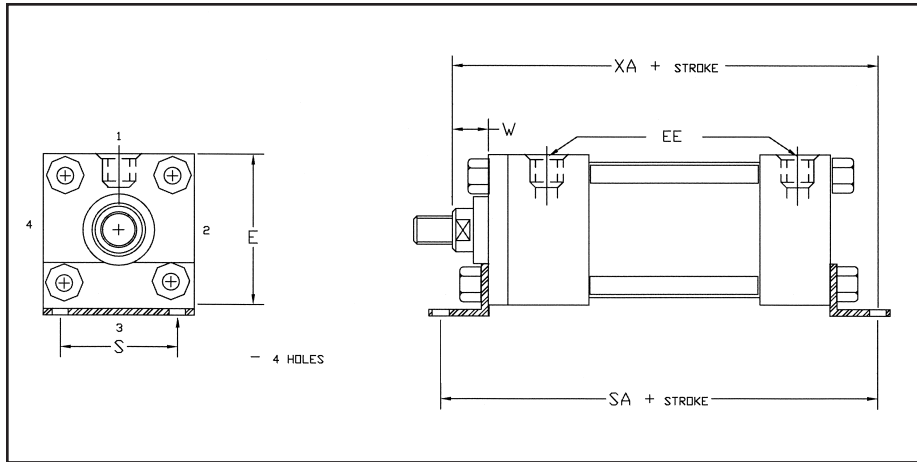




# EZ Measure Form

## Mounting

## MS1 End Angles



### MEASUREMENTS

E \_\_\_\_\_

EE \_\_\_\_\_

EE Location \_\_\_\_\_

SA\* \_\_\_\_\_

XA\* \_\_\_\_\_

S \_\_\_\_\_

W \_\_\_\_\_

Bore \_\_\_\_\_

Stroke \_\_\_\_\_

Cushions (y/n) \_\_\_\_\_

\* Includes Stroke

