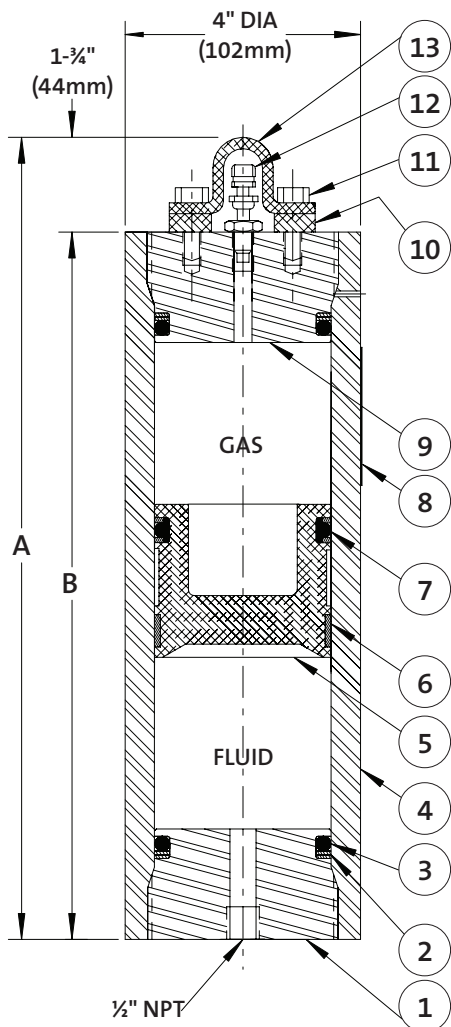


040A100 PISTON ACCUMULATORS

Model Number	Gas Capacity		Fluid Capacity		Dry Weight		Dimension A		Dimension B	
	In. ³	Cm. ³	Gallon	Liters	Lbs.	Kg.	Inch	mm	Inch	mm
040A100-.5NJ14	15	251	0.0625	0.25	25	11	12.13	308	10.375	264
040A100-1NJ14	30	493	0.125	0.49	32	14	15.13	384	13.375	340
040A100-2NJ14	60	675	0.25	1.00	45	20	21.13	536	19.375	492
040A100-4NJ14	117	1910	0.5	2.00	70	32	32.75	831	31	787



Item Number	Part Number	Description	Number Required
1	HF20MA16-4	Head, Fluid, 1/2" NPT	1
2	SB3T34	Seal, Backup, Teflon	2
3	SO3N34	Seal, O-Ring, Head, BUNA-N	2
4	C32TB20-68	Cylinder, 040A100-.5, .5 Pint, .24 Liter	1
	C32TB20-93	Cylinder, 040A100-1, 1 Pint, .5 Liter	
	C32TB20-141	Cylinder, 040A100-2, 1 Quart, 1 Liter	
	C32TB20-234	Cylinder, 040A100-4, .5 Gallon, 2 Liter	
5	P20MH12.5T	Piston, Aluminum, Single Ring	1
6	SW2S40-8	Wearband, Piston, GFT	1
7	ST3N34Y	SEAL, Piston, "T" Seal Assembly, BUNA/Nylon	1
8	NP-300	Nameplate	1
9	HG20MA16-1	Head, Gas, 1/2"	1
10	3A-400	Spacer, Gas Valve	1
11	B-.37CB16S10-B	Bolt, Carbon Steel, 3/8-16 x 1 1/4	2
12	3A-286H	SS Valve, Gas, 10K, 1/2"-20 UNF-3A	1
13	3A-754D	Guard, Valve, Aluminum	1

Complete seal kits

New Part Number	Type	Old Part Number
SK040A100-NT	BUNA-N	4A100-G40T-NST
SK040A100-VT	FKM (VITON®)	4A100-G40T-ETT
SK040A100-ET	EPR	4A100-G40T-HTT

Specify seal material by selecting appropriate material code: "N" = BUNA-N, "B" = BUTYL, "E" = EPR, "V" = FKM (Viton®)

Optional porting/mounting/piston seal configurations available on request

Maximum working pressure 10,000 psi (690 bar)
 Maximum proof pressure 15,000 psi (1,034 bar)
 Minimum burst pressure 40,000 psi (2,758 bar)

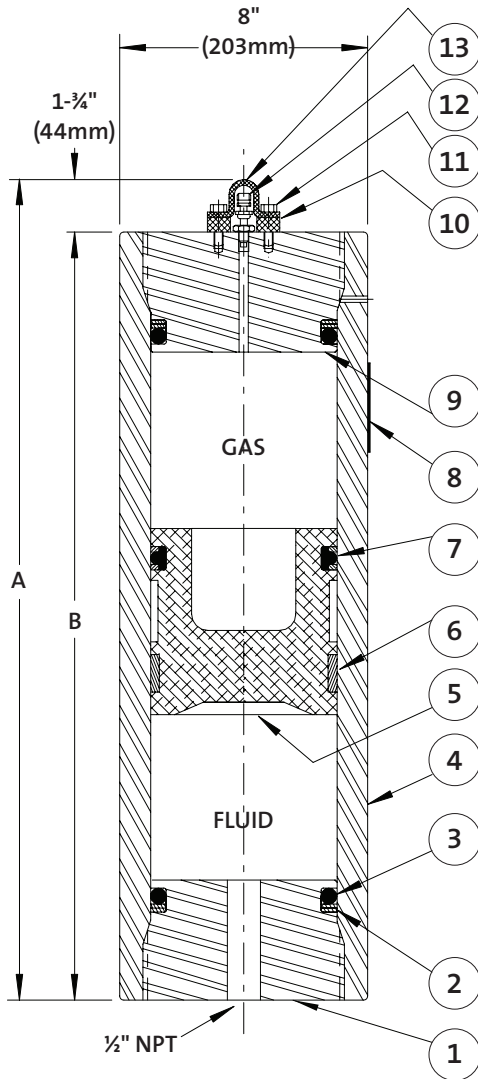
Operating temperature (BUNA/Nitrile)
 -20° to +200°F (-28° to 93°C)

TOBUL ACCUMULATOR INCORPORATED

www.fst.com

080A100 PISTON ACCUMULATORS

Model Number	Gas Capacity		Fluid Capacity		Dry Weight		Dimension A		Dimension B	
	In. ³	Cm. ³	Gallon	Liters	Lbs.	Kg.	Inch	mm	Inch	mm
080A100-4NG14	125	2048	0.5	2	225	102	20.375	518	18.625	473
080A100-8NG14	237	3877	1.0	4	312	142	28.75	730	27.0	686
080A100-16NG14	472	7728	2.0	8	496	225	46.375	1178	44.625	1133
080A100-24NG14	703	11524	3.0	11	678	308	63.75	1619	62.0	1575



Maximum working pressure 10,000 psi (690 bar)
 Maximum proof pressure 15,000 psi (1,034 bar)
 Minimum burst pressure 40,000 psi (2,758 bar)

Operating temperature (BUNA/Nitrile)
 62° to +200°F (17° to 93°C)

TOBUL ACCUMULATOR INCORPORATED
www.fst.com

FREUDENBERG
 SEALING TECHNOLOGIES

Item Number	Part Number	Description	Number Required
1	HF33WC28-4	Head, Fluid, 1/2"NPT	1
2	SB3T60	Seal, Backup, TEFLON	1
3	SO3N60	SEAL, O-Ring, BUNA-N	1
4	C64TD33-149	Cylinder, 080A100-4, 0.5 Gallon, 2 Liters	1
	C64TD33-216	Cylinder, 080A100-8, 1 Gallon, 4 Liters	
	C64TD33-357	Cylinder, 080A100-16, 2 Gallons, 8 Liters	
	C64TD33-494	Cylinder, 080A100-24, 3 Gallons, 11 Liters	
5	P33MH21T	Piston, Single Ring, Aluminum	1
6	SW.6T-8	Seal, BEARING, TEFLON	1
7	ST3N60Y	Seal, Piston, "T" Seal, BUNA-N/NYLON	1
8	NP-400	Nameplate	1
9	HG33WC28-1	Head, GAS, 1/2-20	2
10	3A-400	Spacer, GAS Valve	1
11	B-.37CB16S10-B	Bolt, Carbon Steel, 3/8-16 X 1-1/4"	1
12	3A-286H	SS Valve, GAS, 10K, 1/2-20 UNF-3A	1
13	3A-754D	Guard, Valve, Aluminum	1

Optional porting/mounting/piston seal configurations available on request

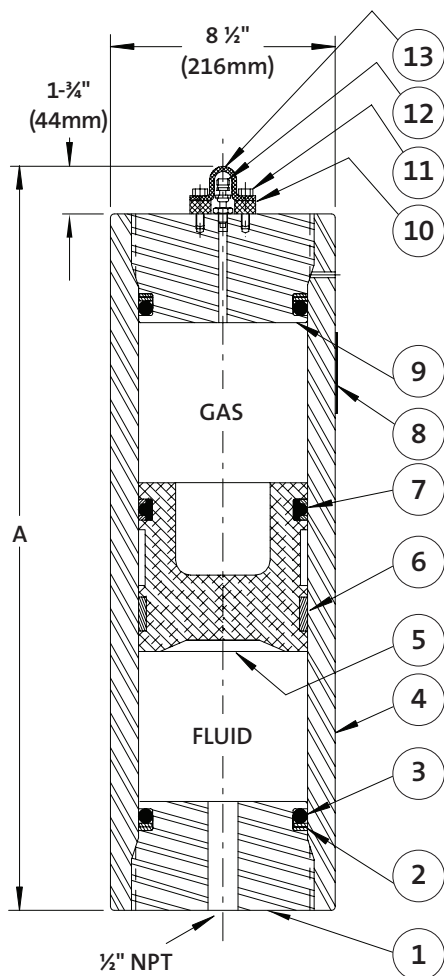
Complete seal kits

New Part Number	Type	Old Part Number
SK080A100-NT	BUNA-N	8A100-G40T-NST
SK080A100-VT	FKM (VITON®)	8A100-G40T-EST
SK080A100-ET	EPR	8A100-G40T-HST

085A100 PISTON ACCUMULATORS

Model Number	Gas Capacity		Fluid Capacity		Dry Weight		Dimension A	
	In. ³	Cm. ³	Gallon	Liters	Lbs.	Kg.	Inch	mm
085A100-12N414	361	5,914	1.5	6	275	125	26	660
085A100-20N414	591	9,678	2.5	9	340	154	34.125	867
085A100-40N414	1,177	19,292	5	19	508	230	54.875	1394
085A100-80N414	2,326	38,115	10	38	835	379	95.5	2426
085A100-160N414	4,637	75,993	20	76	1,494	677	177.25	4502

Tobul 085A100 Series Accumulators meet the requirements of ASME Code certification for pressure vessel



Maximum working pressure 10,000 psi (690 bar)
 Maximum proof pressure 15,000 psi (1,034 bar)
 Minimum burst pressure 40,000 psi (2,758 bar)

Operating temperature (BUNA/Nitrile)
 -20° to +200°F (-28° to 93°C)

TOBUL ACCUMULATOR INCORPORATED

www.fst.com

FREUDENBERG
 SEALING TECHNOLOGIES

Item Number	Part Number	Description	Number Required
1	HF48MB35-4	Head, Fluid, 1/2"NPT	1
2	SB4T88	Seal, Backup, TEFLON	2
3	SO4N88	Seal, O-Ring, Head, BUNA-N	2
4	C68TC48-194	Cylinder, 085A100-12, 1.5 Gallon, 6 Liters	1
	C68TC48-262	Cylinder, 085A100-20, 2.5 Gallons, 9 Liters	
	C68TC48-425	Cylinder, 085A100-40, 5 Gallons, 19 Liters	
	C68TC48-750	Cylinder, 085A100-80, 10 Gallons, 38 Liters	
	C68TC48-1404	Cylinder, 085A100-160, 20 Gallons, 76 Liters	
5	P48MH26T	Piston, Aluminum, Single Ring	1
6	SW2BT-8	Wearband, Piston, BFT	1
7	ST4N88Y	Seal, Piston, "T" Seal Assembly, BUNA/NYLON	1
8	NP-300	Nameplate	1
9	HG48MB35-1	Head, GAS, 1/2-20	1
10	3A-400	Spacer, GAS Valve	1
11	B-.37CB16S10-B	Bolt, Carbon Steel, 3/8-16 x 1 1/4	2
12	3A-286H	SS Valve, GAS, 10K, 1/2-20 UNF-3A	1
13	3A-754D	Guard, Valve, Aluminum	1

Optional porting/mounting/piston seal configurations available on request

Complete seal kits

New Part Number	Type	Old Part Number
SK085A100-NT	BUNA-N	8.5A100-G40T-NST
SK085A100-VT	FKM (VITON®)	8.5A100-G40T-ETT
SK085A100-ET	EPR	8.5A100-G40T-HTT