

Features

1. Magnetic piston is standard feature.
2. Adding optional sensors enables "open" and "close" position sensing.
3. Compact design make grippers ideal for handling small parts in confined areas.
4. Gripper body is hardcoated aluminum ensuring abrasion and corrosion resistance.
5. No extra lubrication required.



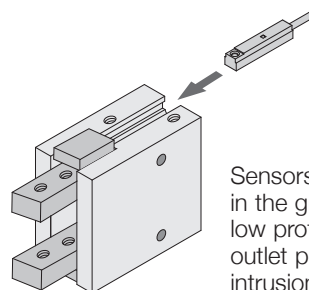
Specifications

100 PSI MAX.

Model	FKHQ			
Action	Double acting			
Bore (mm)	ø10	ø16	ø20	ø25
Media	Compressed air			
Min.operating pressure	30 psi			
Max.operating pressure	0.7 MPa (7 kgf/cm2) 100 psi			
Ambient & media temperature	-10°C(14°F) ~ +60°C(140°F) Use filtered dry air			
Lubrication	None required or use ISO VG32			
Port size	M3x0.5	M5x0.8		
Opening	Parallel - See dimensions pages 2 & 3			
Close - stroke (mm)	4.6	7.9	9.6	13.9
External grip force (lbf) *	2.4	7.6	9.4	14.6
Internal grip force (lbf)*	3.8	10.1	14.8	23.3
Weight g (ounce)	55(1.9)	115(4.1)	235(8.3)	430(15.2)

Sensors


See specifications and prices in the sensor selection guides on page 3. Please order sensors and female cordsets separately.



Sensors fit into mating slots in the gripper housing. The low profile and in-line wire outlet provides minimal intrusion for close mounting of adjacent components.

*Note: Grip force at 72 psi, at center of stroke and gripping point 20mm from gripper face.

How to Order

FKHQ	-	16	D
Series		Bore	Action
 Narrow opening parallel jaw type		ø10	D Double Acting
		ø16	
		ø20	
		ø25	

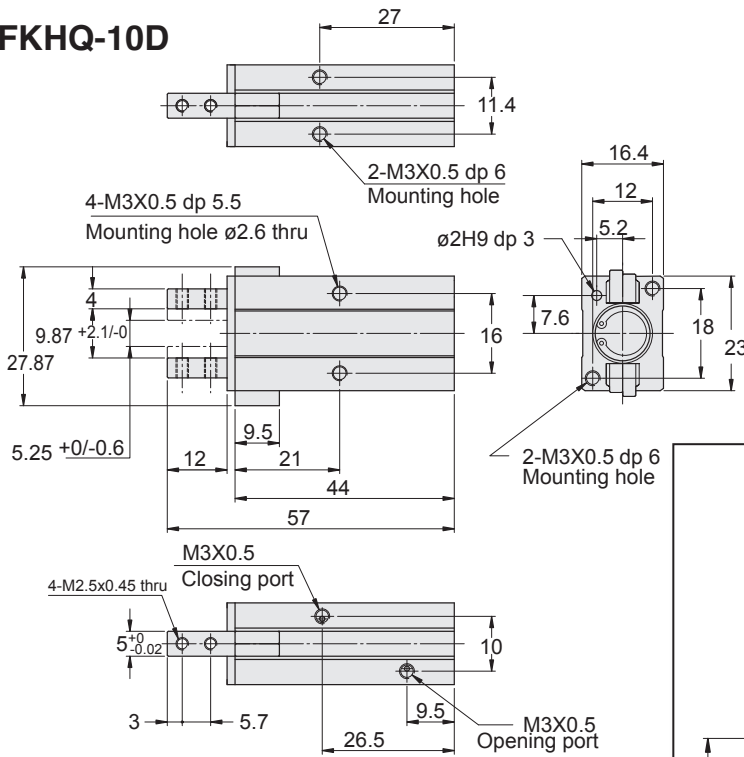
Specifications and prices subject to change without notice or incurring obligation.

Prices

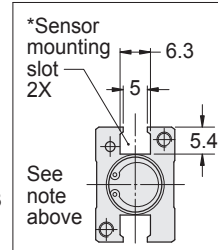
See sensor specifications, selection guide and pricing on page 3. Please order sensors and female cordsets separately.

Model	Price
FKHQ-10D	-
FKHQ-16D	-
FKHQ-20D	-
FKHQ-25D	-

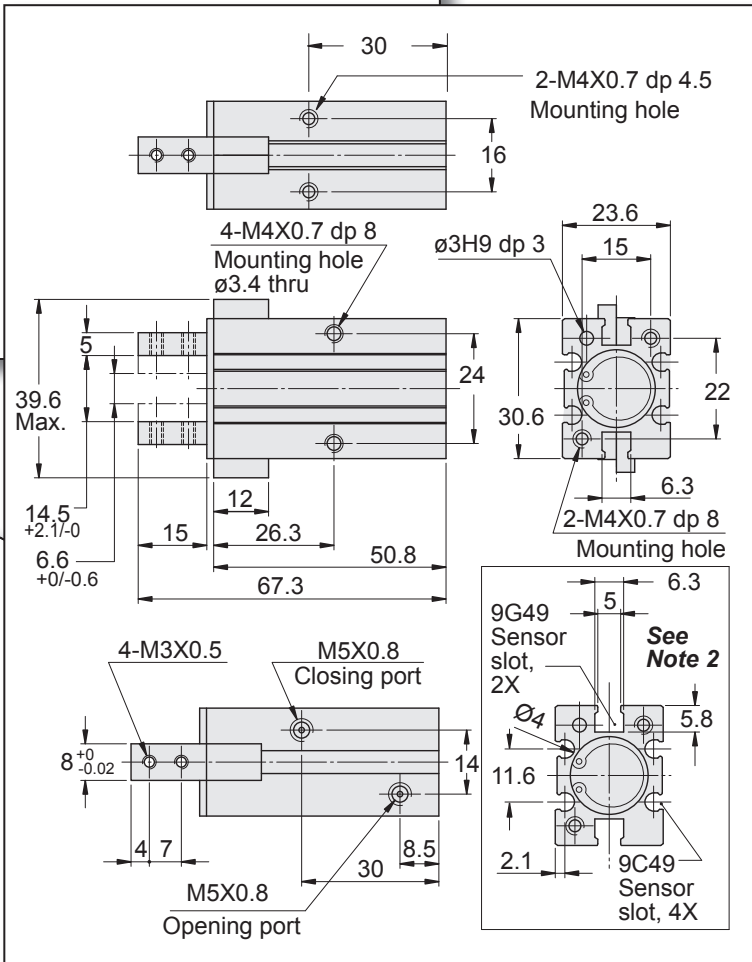
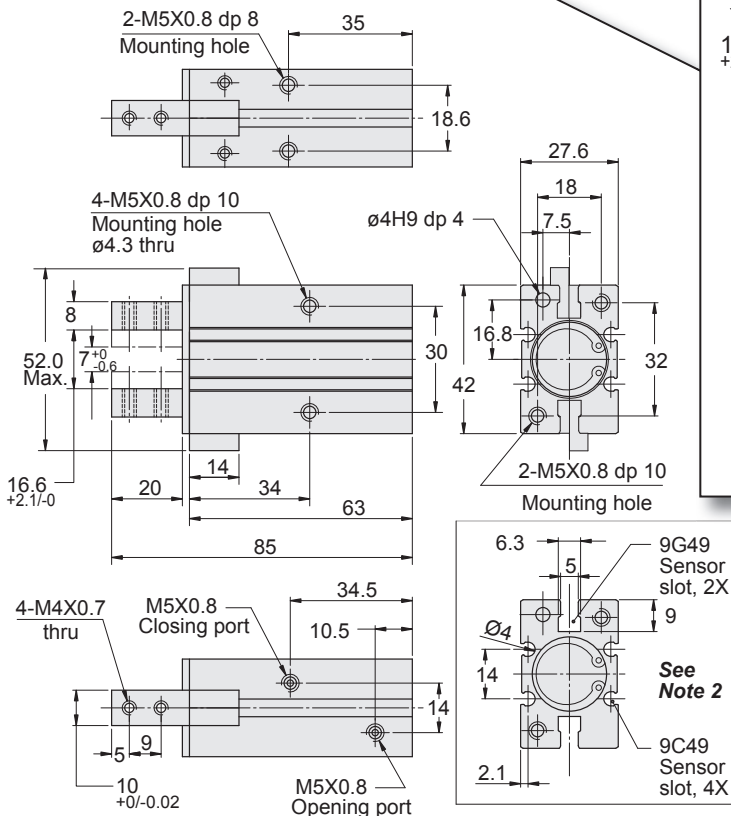
FKHQ-10D



*Note 1:
When using sensors,
thru-hole mounting
is not possible.

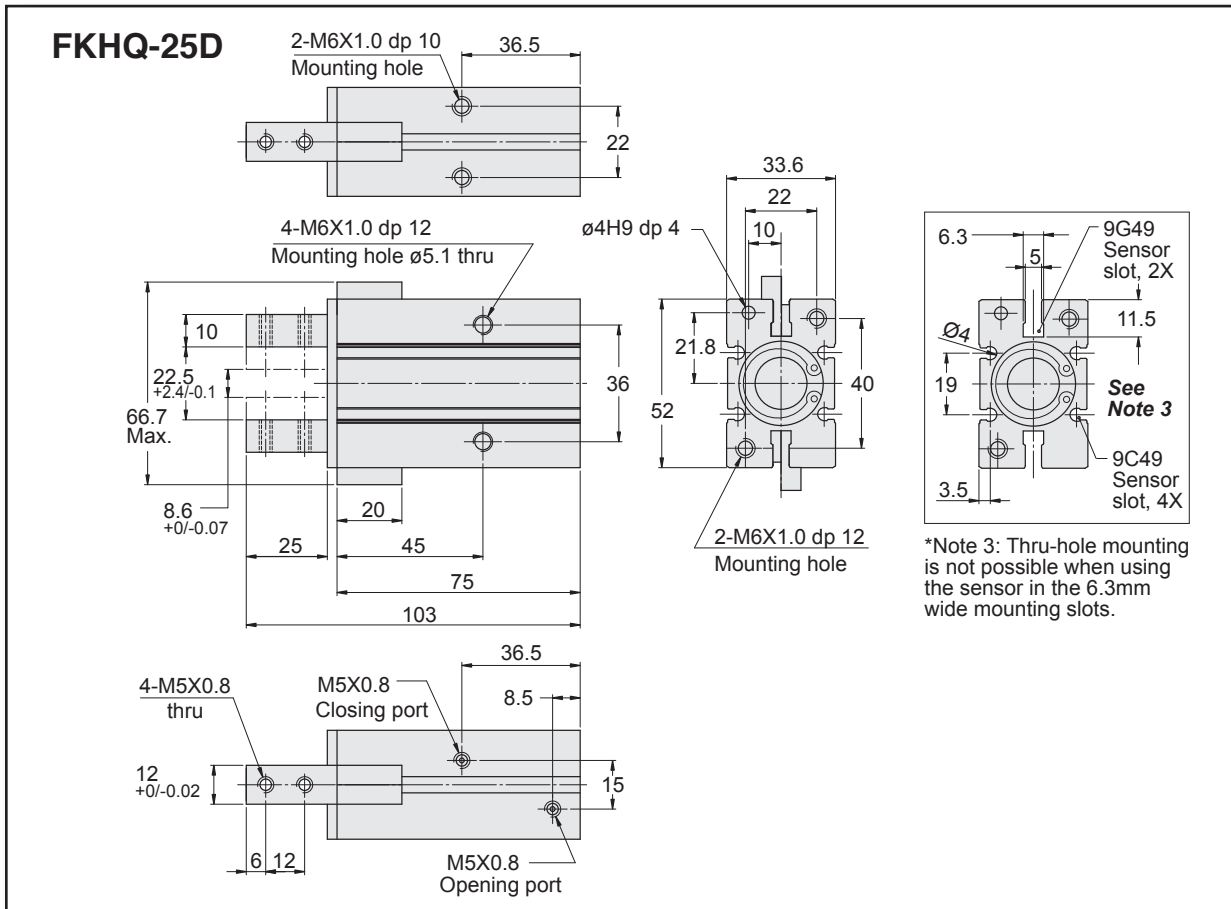


FKHQ-20D



*Note 2:
Thru-hole mounting is not possible when using
the sensor in the 6.3mm wide mounting slots.

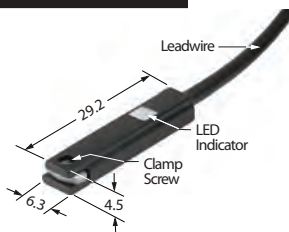
Specifications and prices subject to change
without notice or incurring obligation.



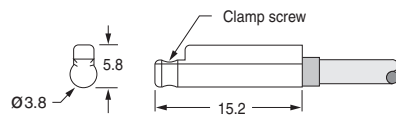
Sensors

See specifications and prices in the sensor selection guides below. Please order sensors and female cordsets separately.

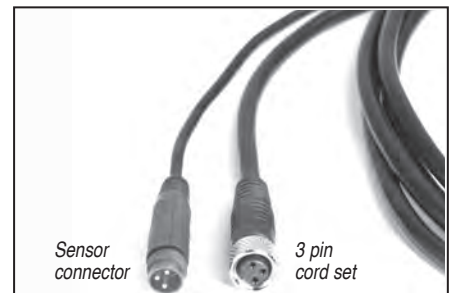
9G49 Sensors



9C49 Sensors



All 9C49 sensors feature surge protection, polarity protection, LED indicator, and extremely fast switching speeds.



Female Cord Sets	Part No.	Price
1 Meter	CFC-1M	-
2 Meters	CFC-2M	-
5 Meters	CFC-5M	-

9G49 Sensor Selection Guide for all bore sizes $\phi 10 \sim \phi 25$		Prewired 9 ft. Leadwire	Quick Disconnect*
6.3 mm wide	Sensor Type	Part No.	Part No.
	Reed (LED)	9G49-000-002	9G49-000-302
	Electronic (LED)	9G49-000-031	9G49-000-331
	Electronic (LED)	9G49-000-032	9G49-000-332
9C49 Sensor Selection Guide for bore sizes $\phi 16 \sim \phi 25$		Prewired 9 ft. Leadwire	Quick Disconnect*
4 mm round	Sensor Type	Part No.	Part No.
	Reed (LED)	9C49-000-002	9C49-000-302
	Electronic (LED)	9C49-000-031	9C49-000-331
	Electronic (LED)	9C49-000-032	9C49-000-332

*Note: All quick disconnect style sensors are supplied with 6 inch pigtail with male connector.



Cylinders, Valves and Accessories
Catalog #CV9



Pancake® II Air Cylinders
Catalog Pan2-2



Square Pancake® II Air Cylinders
Catalog # SqPan2



ISO 6431 Cylinders
Catalog # FAQR-09



Twin Rod, Non-Rotating Air Cylinders - Catalog # FDF-09 and Catalog # FDXS-09



Multi-Power® Air Presses
Catalog # FP16



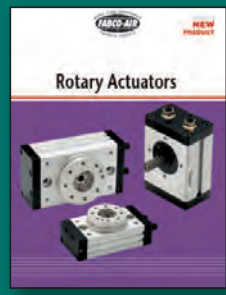
Linear Slides - 6 Families
Catalog # LS-03



Pneumatic Grippers, Parallel Jaw and Angular Motion - Catalog # GR-8



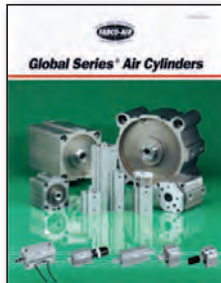
ISO 6432 Cylinders
Catalog # FAE-09



Rotary Actuators, Pneumatic
Catalog # FRA-C-09



NFPA Interchangeable Air Cylinders - Catalog # NF-6



Global Series™ Metric Air Cylinders - Catalog # GC-15



Stopper Cylinders
Catalog # ST-SC



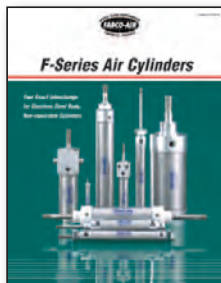
Angular Grippers
Catalog # FKA-09



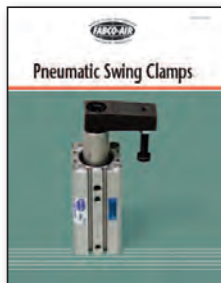
Air Table Slides
Catalog # FGXS-10



Modular Air Preparation System - FRLs
Catalog # FRL-06



Stainless Steel Body Air Cylinders
Catalog # SSB-03



Swing Clamps
Catalog # SC-DB04



Guided Motion Air Cylinders
Catalog # FGM-10



Pneumatic & Hydraulic Swing Clamps
Catalog # FML-H

Check out these new product lines today !