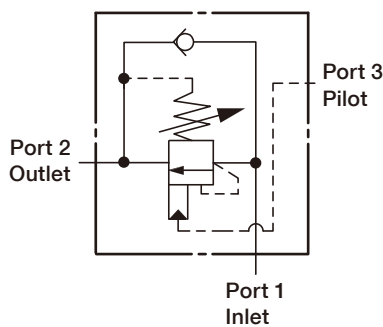


# CBD



## SYMBOLS



## ORDER CODES

**CB 2 D - T11A - L J N**

1 2 3 4 5 6 7

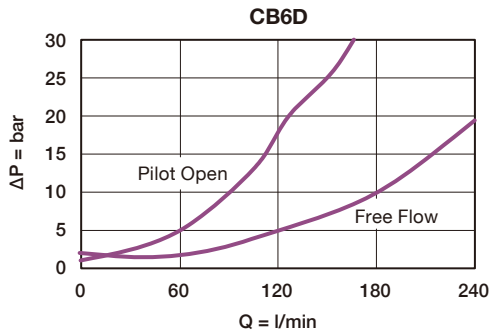
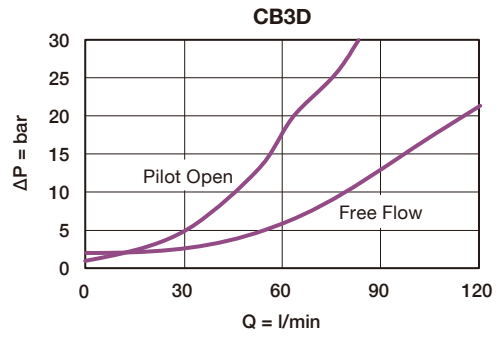
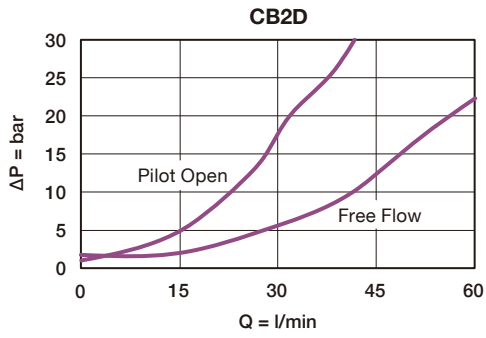
1	Model Name	CB
2	Valve Size	2, 3, 6
3	Pilot Ratio	D 4.5:1
4	Cavity	T11A, T2A, T17A
5	Control Manner	L standard screw adjustment
6	Adjustable Range	J 140 ~ 350 bar, w/1.7 bar check, 210 bar initially setting
		K 70 ~ 175 bar, w/1.7 bar check, 140 bar initially setting
		C 140 ~ 350 bar, w/0.3 bar check, 210 bar initially setting
		D 70 ~ 175 bar, w/0.3 bar check, 140 bar initially setting
7	Material of Seal	N buna-N
		V viton

## MODEL SPEC.

Model	Cavity	Capacity (l/min)	Max. Pressure (bar)	Installation Torque (Nm)	Operational Temperature	Weight (kg)
CB2D	T11A	40	350	40/50	-35 ~ 100°C (-31 ~ 212°F)	0.17
CB3D	T2A	80	350	60/70		0.30
CB6D	T17A	160	350	200/215		0.64

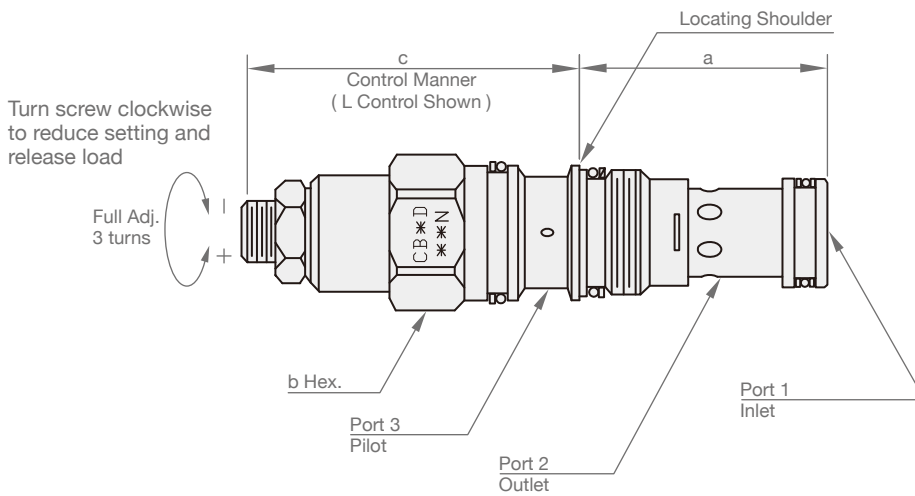
## PERFORMANCE CURVES

### Free Flow and Piloted Open Pressure Drop



## DIMENSION

( UNIT : mm )



Model	a	b	c
			L
CB2D	34.9	22.2	50
CB3D	34.9	28.6	61
CB6D	46.0	31.8	70