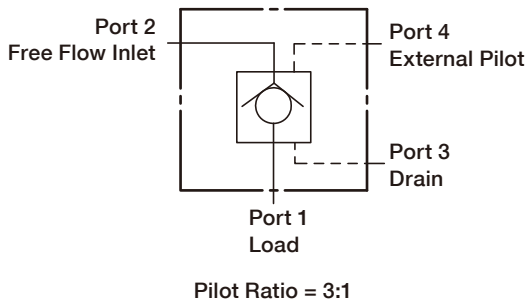


CKF



SYMBOLS



ORDER CODES

CK **2F** - **T11A** - **V** **C** **N**

1 2 3 4 5 6

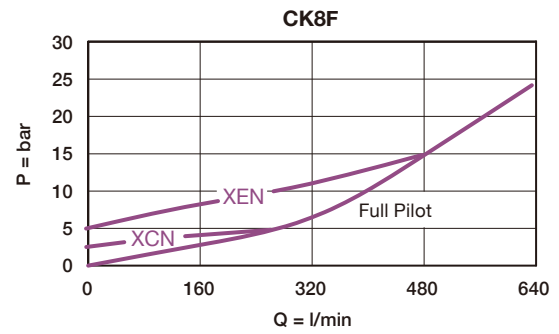
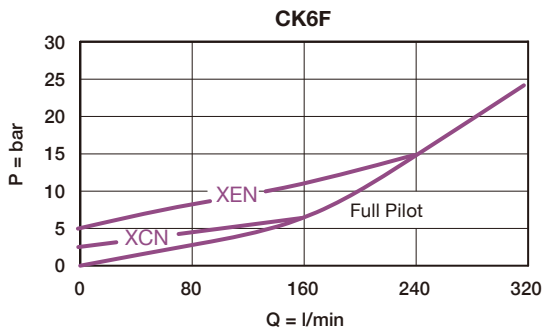
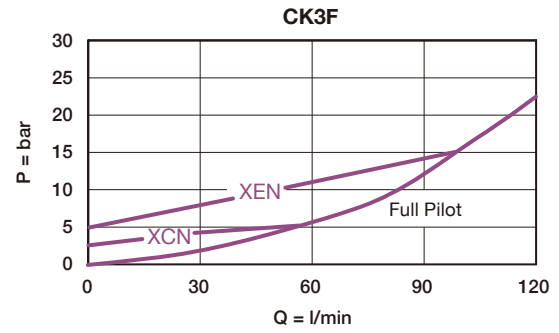
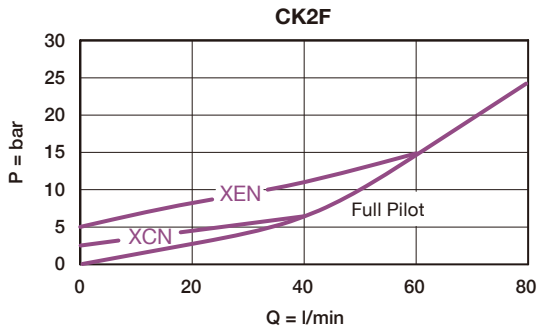
1	▶ Model Name	CK	
2	▶ Valve Size	2F, 3F, 6F, 8F	
3	▶ Cavity	T11A, T2A, T17A, T19A	
4	▶ Control Manner	V	external pilot port
5	▶ Cracking Pressure	A	0.3 bar
		C	2.0 bar
		E	5.0 bar
6	▶ Material of Seal	N	buna-N
		V	viton

MODEL SPEC.

Model	Cavity	Capacity (l/min)	Max. Pressure (bar)	Installation Torque (Nm)	Operational Temperature	Weight (kg)
CK2F	T11A	60	350	40/50	-35 ~ 100°C (-31 ~ 212°F)	0.13
CK3F	T2A	120	350	60/70		0.24
CK6F	T17A	240	350	200/215		0.53
CK8F	T19A	480	350	465/500		1.16

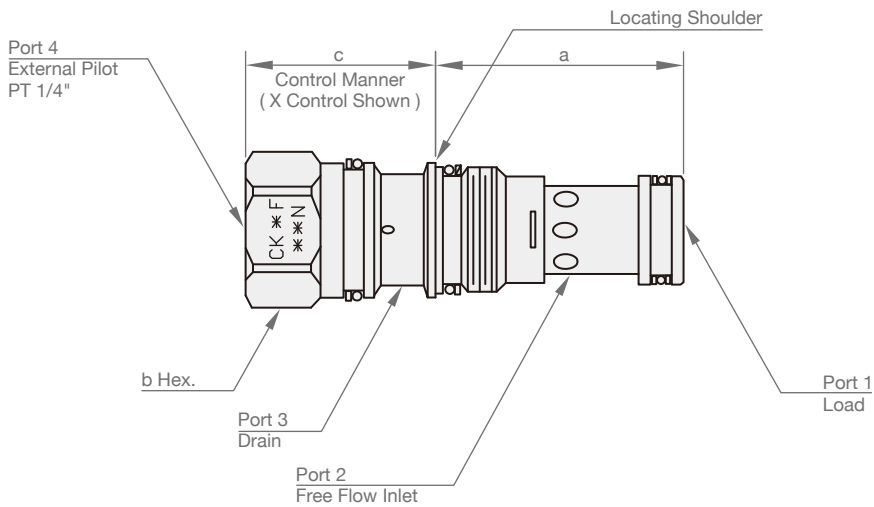
PERFORMANCE CURVES

► Typical Pressure Drop



DIMENSION

(UNIT : mm)



Model	a	b	c	
			X	L
CK2B	34.9	22.2	31	64
CK3B	34.9	28.6	35	72
CK6B	46.0	31.8	46	84
CK8B	63.5	41.3	59	100