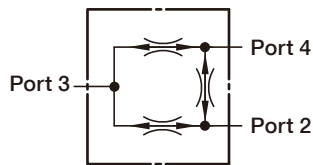


# CP



## SYMBOLS



Flow Ratio:  
Port 2 : Port 4 = 1:1

## ORDER CODES

**CP** - **1042** - **X** **C** **N**

①                      ②                      ③                      ④                      ⑤

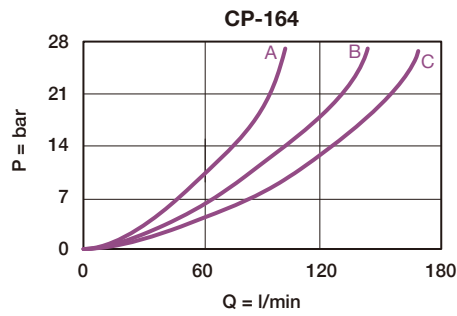
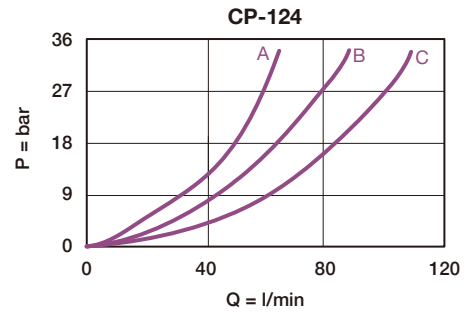
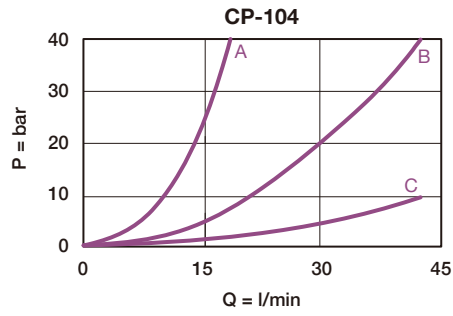
①	▶ Model Name	CP
②	▶ Valve Size & Cavity	104, 124, 164
③	▶ Control Manner	X unadjustable
④	▶ Capacity (l/min)	A CP-104: 7.6, CP-124: 38, CP-164: 91
		B CP-104: 23, CP-124: 53, CP-164: 114
		C CP-104: 45, CP-124: 90, CP-164: 150
⑤	▶ Material of Seal	N buna-N
		V viton

## MODEL SPEC.

Model	Cavity	Capacity (l/min)	Max. Pressure (bar)	Installation Torque (Nm)	Operational Temperature	Weight (kg)
CP-104	T104	45	210	35/45	-35 ~ 100°C (-31 ~ 212°F)	0.11
CP-124	T124	90	210	45/55		0.23
CP-164	T164	150	210	60/70		0.37

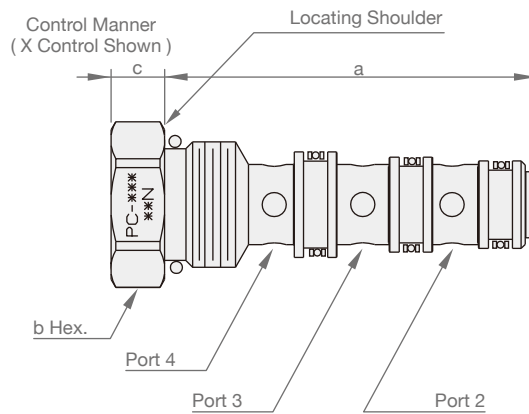
## PERFORMANCE CURVES

### ► Typical Pressure Drop



## DIMENSION

( UNIT : mm )



Model	a	b	c
			X
CP-104	64.8	25.4	7.9
CP-124	85.1	31.8	9.5
CP-164	105.0	38.1	12.7