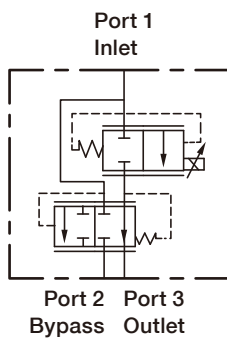


EVP-M33



SYMBOLS



ORDER CODES

EVP - **M33** - **X** **C** **N** - **D** **24**

1 2 3 4 5 6 7

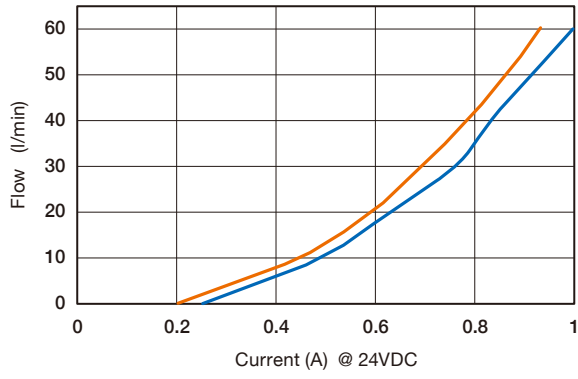
1	Model Name	EVP	
2	Cavity	M33	C332-3
3	Control Manner	X	unadjustable
4	Capacity	C	50 l/min
5	Material of Seal	N	buna-N
		V	viton
6	Connector (coil)	D	ISO/DIN43650
7	Voltage (coil)	12	12 VDC
		24	24 VDC

MODEL SPEC.

Model	Cavity	Capacity (l/min)	Max. Pressure (bar)	Leakage (cc/min)	Installation Torque (Nm)
EVP-M33	C332-3	50	270	less than 150	30/35
Model	Hysteresis	Max. Current (mA)		Weight (kg)	
		12 VDC	24 VDC	Body	Coil
EVP-M33	5%	1900	950	0.5	0.4

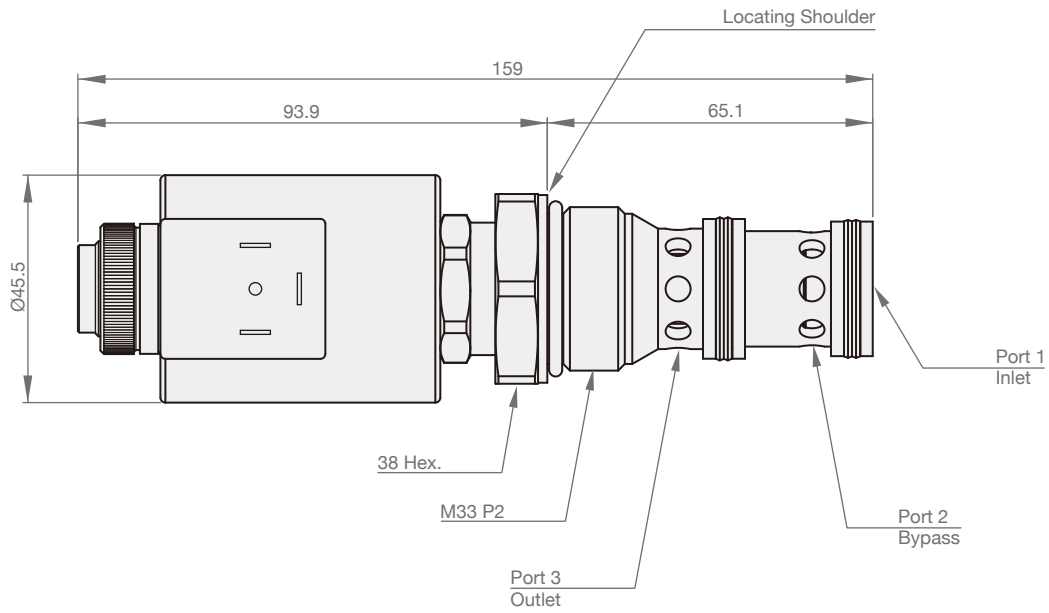
PERFORMANCE CURVES

► Flow vs. Current



DIMENSION

(UNIT : mm)



CAVITY TOOLING

(UNIT : mm)

► C332-3

