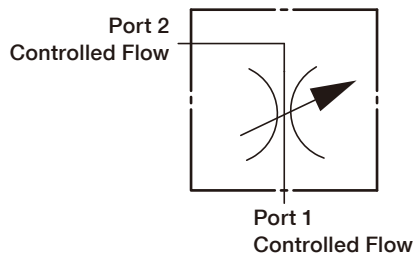


NFC



SYMBOLS



ORDER CODES

NF **2C** - **T13A** - **L** **C** **N**

1 2 3 4 5 6

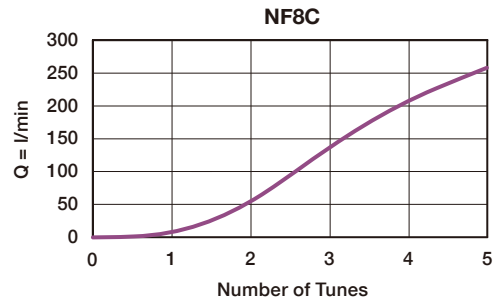
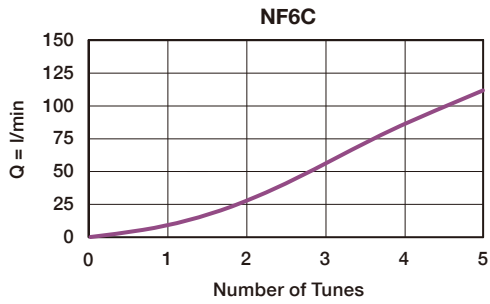
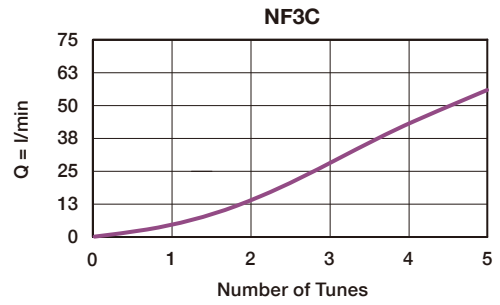
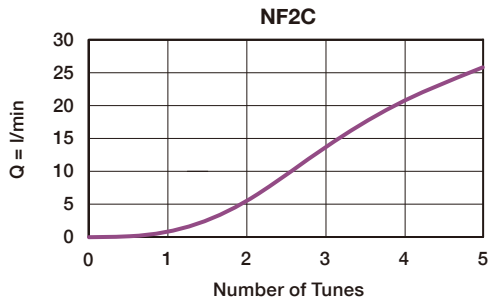
1	▶ Model Name	NF	
2	▶ Valve Size	2C, 3C, 6C, 8C	
3	▶ Cavity	T13A, T5A, T16A, T18A	
4	▶ Control Manner	L	standard screw adjustment
		K	hand knob with lock knob
5	▶ Max. Orifice	C	T13A : 4.8mm
		A	T5A : 6.3mm
		E	T16A : 9.6mm
		G	T18A : 14.2mm
6	▶ Material of Seal	N	buna-N
		V	viton

MODEL SPEC.

Model	Cavity	Capacity (l/min)	Max. Pressure (bar)	Installation Torque (Nm)	Operational Temperature	Weight (kg)
NF2C	T13A	25	350	40/50	-35 ~ 100°C (-31 ~ 212°F)	0.14
NF3C	T5A	50	350	60/70		0.26
NF6C	T16A	100	350	200/215		0.55
NF8C	T18A	200	350	465/500		1.21

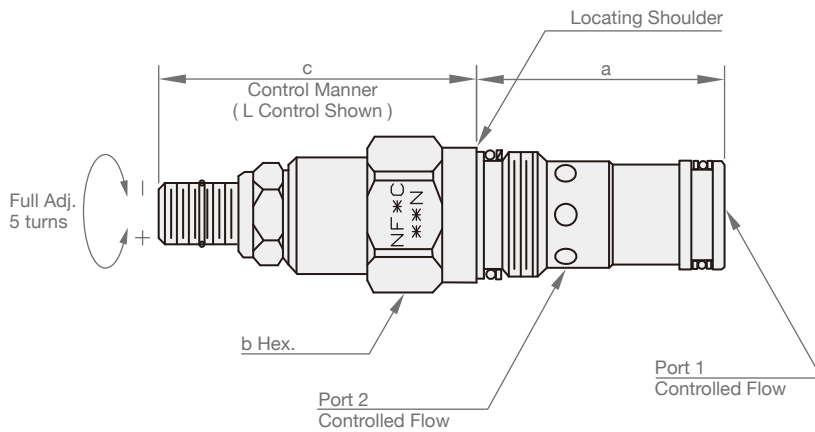
PERFORMANCE CURVES

► Adjustment Sensitivity at 7 bar Differential



DIMENSION

(UNIT : mm)



Model	a	b	c	
			L	K
NF2C	34.9	22.2	58	64
NF3C	41.1	28.6	67	73
NF6C	61.9	31.8	73	79
NF8C	79.4	41.3	84	90