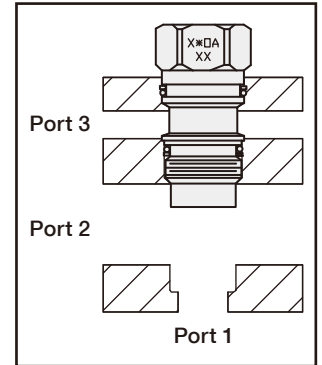
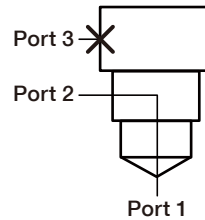


OA3

SYMBOLS

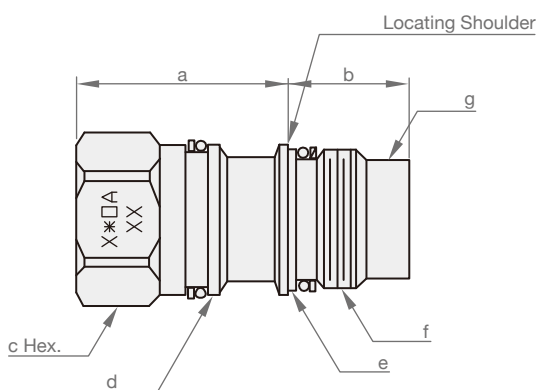


MODEL SPEC.

Model	Cavity	Thread	Material of Seal	Weight (kg)
X10A3-T163A-XX	T163A	M16 P1.5	buna-N	0.06
X20A3-T11A-XX	T11A	M20 P1.5		0.09
X30A3-T2A-XX	T2A	1"-14UNS-2B		0.16
X60A3-T17A-XX	T17A	M36 P2		0.31
X80A3-T19A-XX	T19A	M48 P2		0.68

DIMENSION

(UNIT : mm)



Model	a	b	c	d	e	f	g
X10A3	31.86	14.54	19.1	Ø17.8	Ø16.6	M16 P1.5-6H	Ø13.9
X20A3	30	17.8	22.2	Ø21.7	Ø20.5	M16 P1.5-6H	Ø17.4
X30A3	35.2	15.2	28.6	Ø27.3	Ø26	1"-14UNS-2B	Ø22.8
X60A3	46.2	18.3	31.6	Ø39.6	Ø36.4	M36 P2.0-6H	Ø32.5
X80A3	59	23.5	41	Ø52.4	Ø48.2	M36 P2.0-6H	Ø43