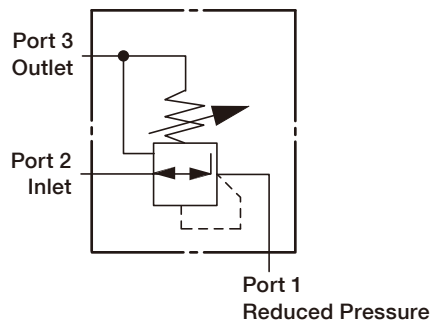


PR



SYMBOLS



ORDER CODES

PR **2B** - **T11A** - **L** **A** **N**

1 2 3 4 5 6

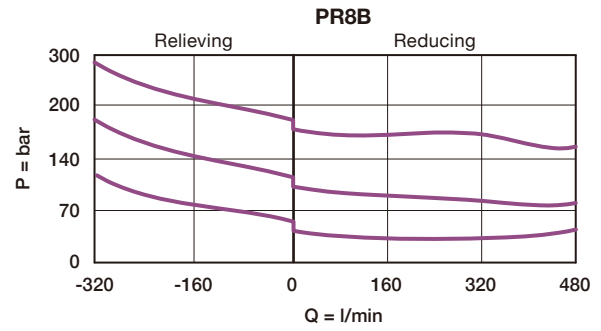
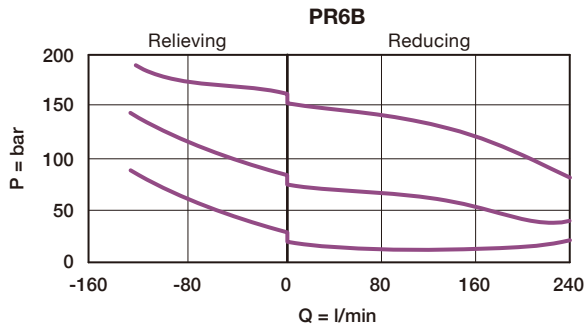
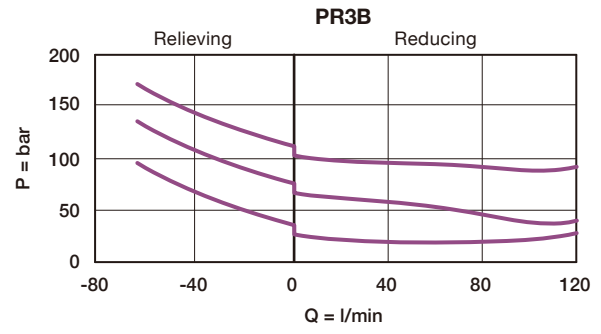
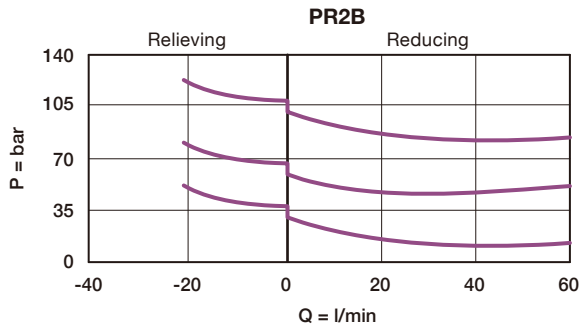
1	▶ Model Name	PR	
2	▶ Valve Size	2B, 3B, 6B, 8B	
3	▶ Cavity	T11A, T2A, T17A, T19A	
4	▶ Control Manner	L	standard screw adjustment
		K	hand knob with lock knob
5	▶ Adjustable Range	A	35 ~ 210 bar
		B	6.5 ~ 105 bar
		D	5 ~ 55 bar
		E	2 ~ 25 bar
		W	50 ~ 315 bar
6	▶ Material of Seal	N	buna-N
		V	viton

MODEL SPEC.

Model	Cavity	Capacity (l/min)	Max. Pressure (bar)	Installation Torque (Nm)	Operational Temperature	Weight (kg)
PR2B	T11A	40	350	40/50	-35 ~ 100°C (-31 ~ 212°F)	0.20
PR3B	T2A	80	350	60/70		0.36
PR6B	T17A	160	350	200/215		0.76
PR8B	T19A	320	350	465/500		1.58

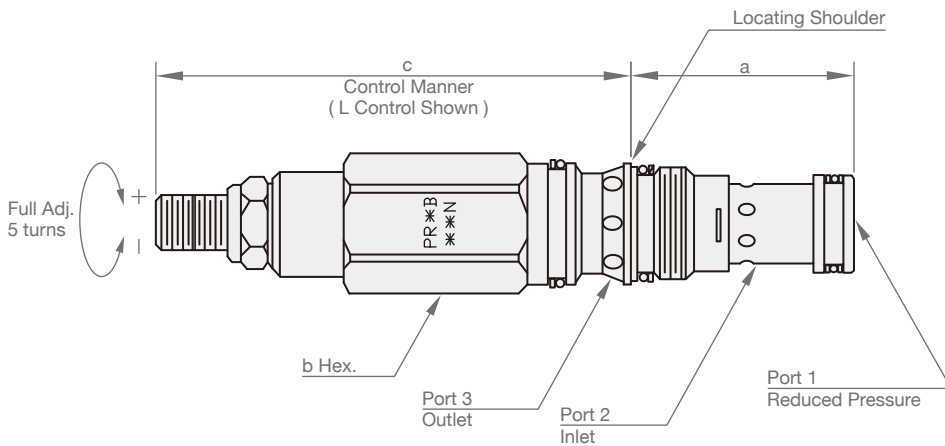
PERFORMANCE CURVES

► Regulated Pressure



DIMENSION

(UNIT : mm)



Model	a	b	c	
			L	K
PR2B	34.9	22.2	79	85
PR3B	34.9	28.6	89	96
PR6B	46.0	31.8	100	107
PR8B	63.5	41.3	124	130