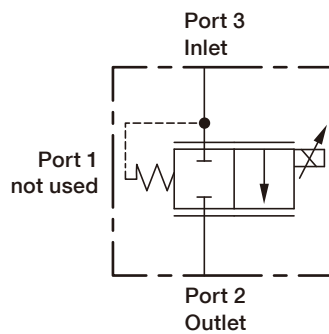


PV-1033



SYMBOLS



ORDER CODES

PV - **103** **3** - **X** **B** **N** - **D** **24**

1 2 3 4 5 6 7 8

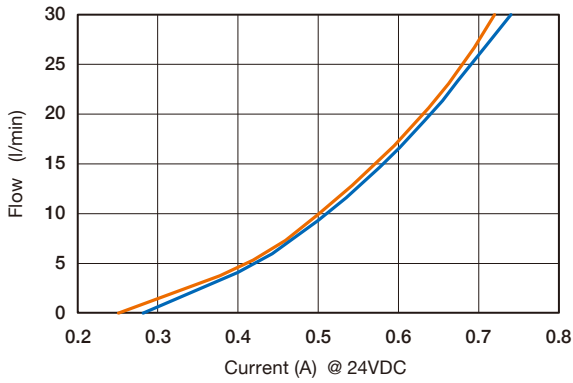
1	Model Name	PV	
2	Cavity	103	
3	Type	3	normally closed
4	Control Manner	X	unadjustable
5	Capacity	B	30 l/min
6	Material of Seal	N	buna-N
		V	viton
7	Connector (coil)	D	ISO/DIN43650
8	Voltage (coil)	12	12 VDC
		24	24 VDC

MODEL SPEC.

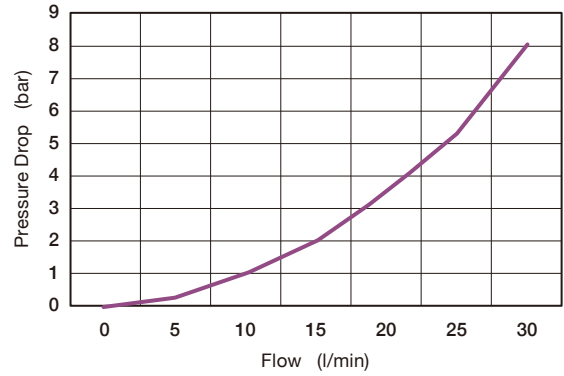
Model	Cavity	Capacity (l/min)	Max. Pressure (bar)	Leakage (cc/min)	Installation Torque (Nm)
PV-1033	T103	30	300	less than 150	35/38
Model	Hysteresis	Max. Current (mA)		Weight (kg)	
		12 VDC	24 VDC	Body	Coil
PV-1033	5%	1800	900	0.28	0.4

PERFORMANCE CURVES

► Flow vs. Current

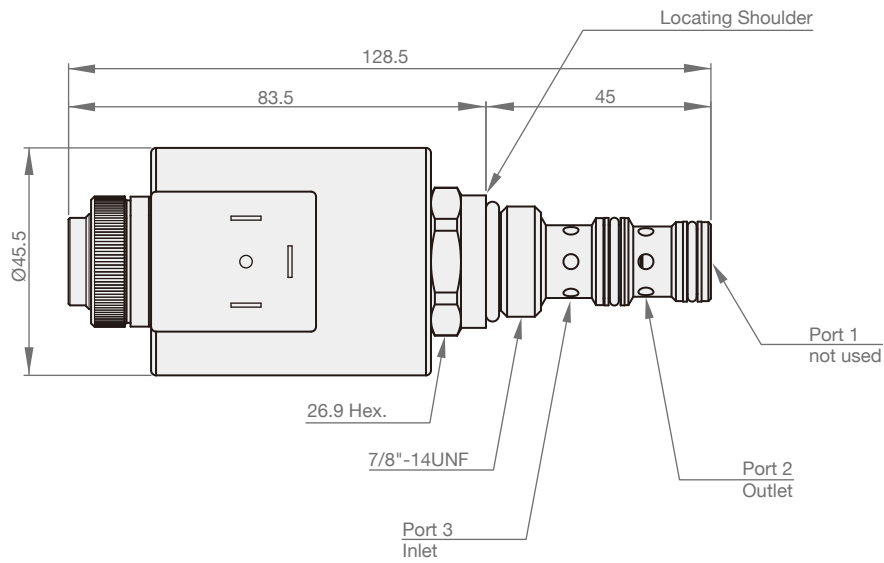


► Pressure Drop vs. Flow



DIMENSION

(UNIT : mm)



CAVITY TOOLING

(UNIT : mm)

► T103

