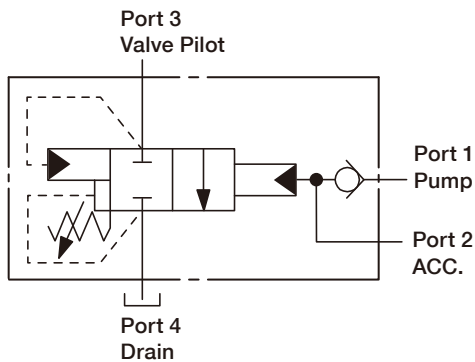


QC



SYMBOLS



ORDER CODES

QC 2 C - T21A - L A N

1 2 3 4 5 6 7

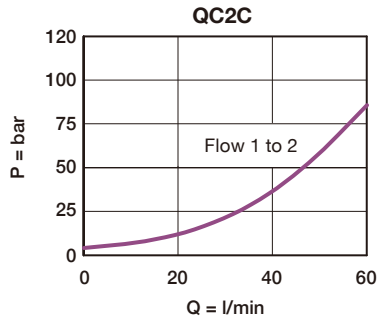
1	Model Name	QC
2	Valve Size	2
3	Operation	C 30% ratio between unload setting and reset
4	Cavity	T21A
5	Control Manner	L standard screw adjustment
		K hand knob with lock knob
6	Adjustable Range	A 70 ~ 210 bar, 70 bar standard setting
		B 35 ~ 105 bar, 35 bar standard setting
		C 140 ~ 350 bar, 140 bar standard setting
		D 18 ~ 55 bar, 18 bar standard setting
7	Material of Seal	N buna-N
		V viton

MODEL SPEC.

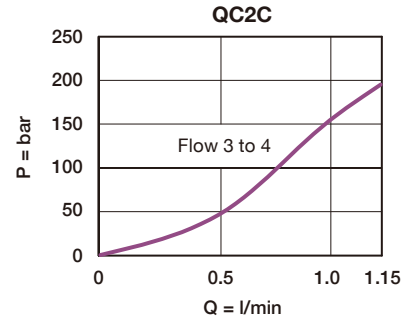
Model	Cavity	Capacity (l/min)	Max. Pressure (bar)	Installation Torque (Nm)	Operational Temperature	Weight (kg)
QC2C	T21A	60	350	41/47	-35 ~ 100°C (-31 ~ 212°F)	0.19

PERFORMANCE CURVES

► Pressure Differential vs. Flow

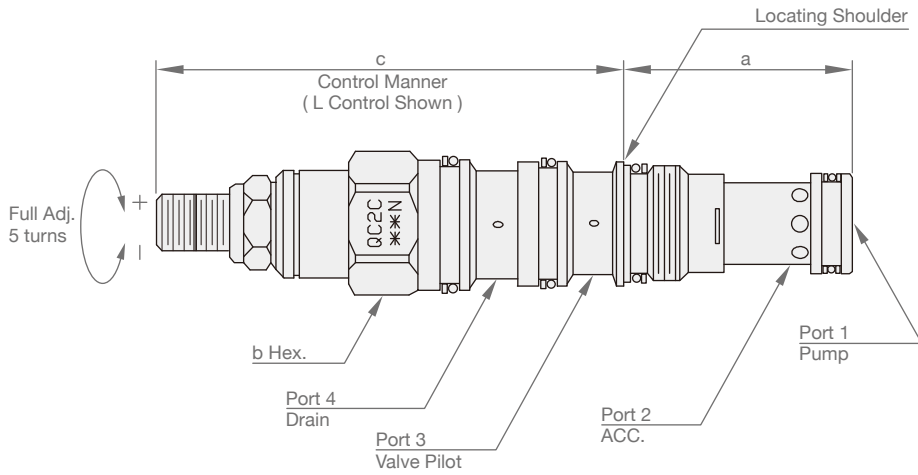


► Pressure Differential vs. Flow (Full Piloted Open)



DIMENSION

(UNIT : mm)



Model	a	b	c	
			L	K
QC2C	34.9	22.2	78.5	84.8