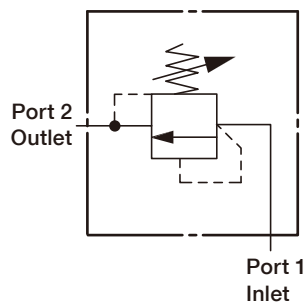


RD



SYMBOLS



ORDER CODES

RD **2A** - **T10A** - **L** **A** **N**

1 2 3 4 5 6

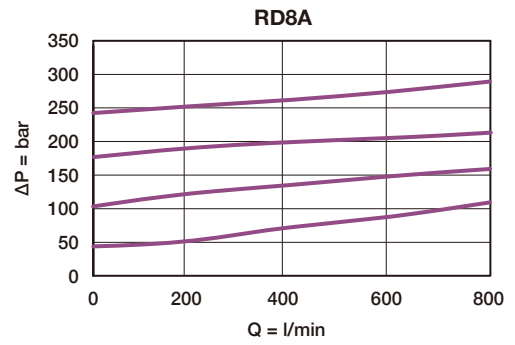
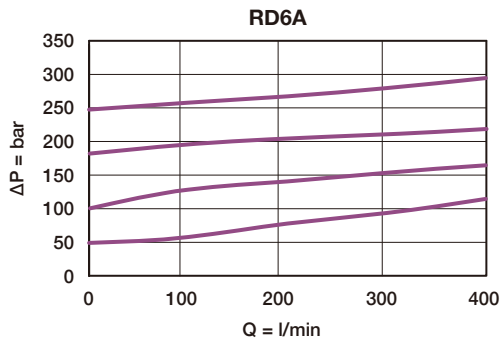
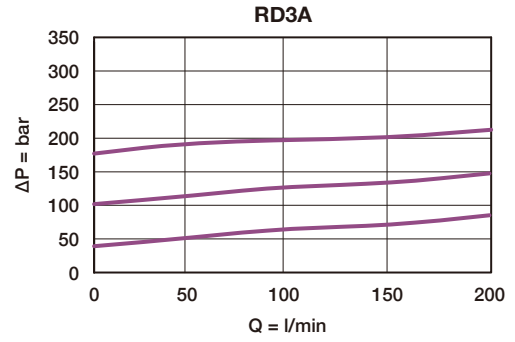
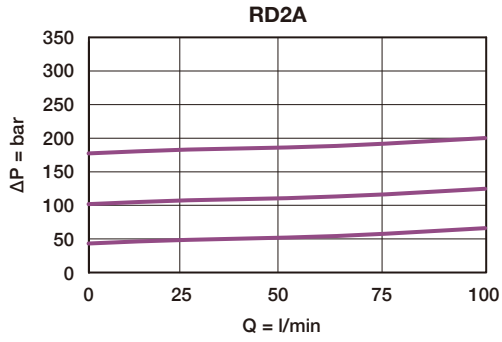
1	Model Name	RD	
2	Valve Size	2A, 3A, 6A, 8A	
3	Cavity	T10A, T3A, T16A, T18A	
4	Control Manner	L	standard screw adjustment
5	Adjustable Range	A	35 ~ 210 bar
		B	20 ~ 105 bar
		E	7 ~ 25 bar
		W	70 ~ 315 bar
6	Material of Seal	N	buna-N
		V	viton

MODEL SPEC.

Model	Cavity	Capacity (l/min)	Max. Pressure (bar)	Installation Torque (Nm)	Operational Temperature	Weight (kg)
RD2A	T10A	95	350	40/50	-35 ~ 100°C (-31 ~ 212°F)	0.155
RD3A	T3A	200	350	60/70		0.295
RD6A	T16A	380	350	200/215		0.670
RD8A	T18A	760	350	465/500		1.450

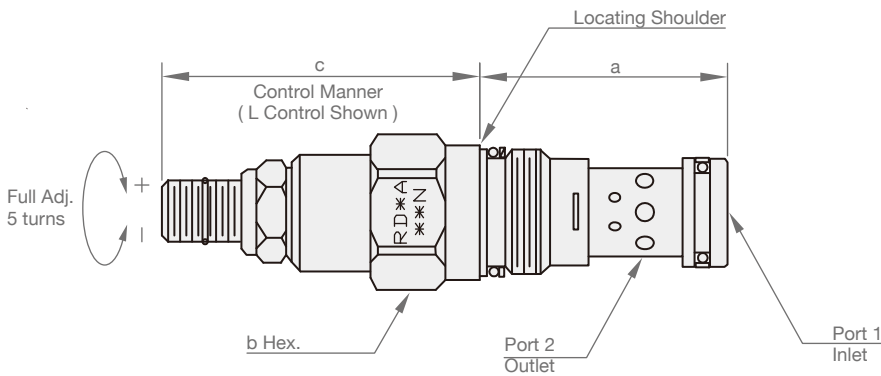
PERFORMANCE CURVES

► Typical Pressure Rise



DIMENSION

(UNIT : mm)



Model	a	b	c
			L
RD2A	39.7	22.2	61
RD3A	47.8	28.6	64
RD6A	61.9	31.8	83
RD8A	79.4	41.3	100