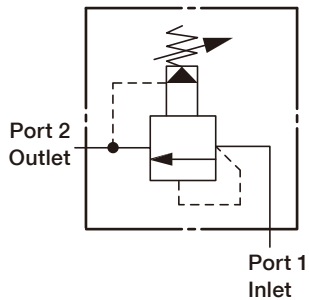


RP



SYMBOLS



ORDER CODES

RP **2C** - **T10A** - **L** **A** **N**

① ② ③ ④ ⑤ ⑥

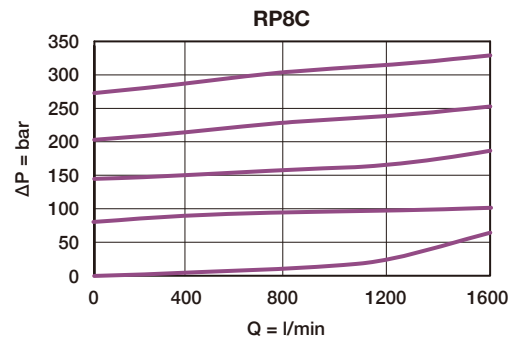
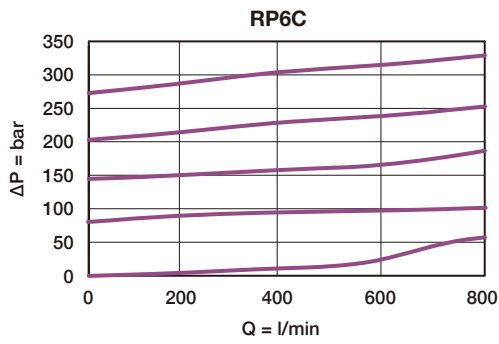
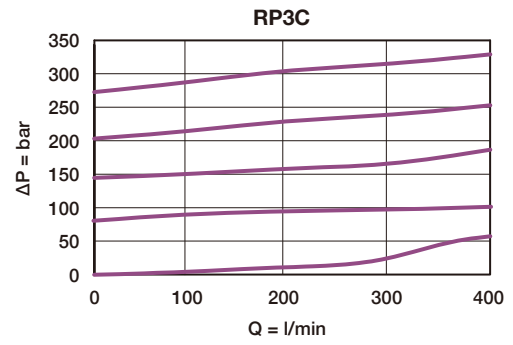
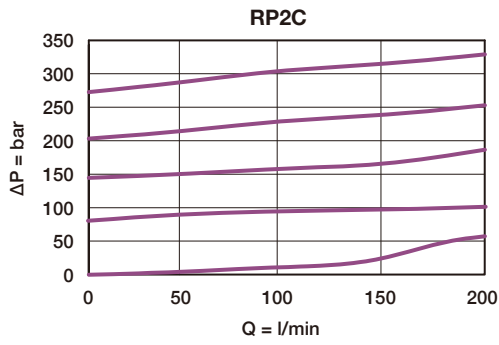
① ▶ Model Name	RP	
② ▶ Valve Size	2C, 3C, 6C, 8C	
③ ▶ Cavity	T10A, T3A, T16A, T18A	
④ ▶ Control Manner	L	standard screw adjustment
	K	hand knob with lock knob
⑤ ▶ Adjustable Range	A	7 ~ 210 bar
	B	3.5 ~ 105 bar
	C	10 ~ 400 bar
	E	2 ~ 25 bar
⑥ ▶ Material of Seal	N	buna-N
	V	viton

MODEL SPEC.

Model	Cavity	Capacity (l/min)	Max. Pressure (bar)	Installation Torque (Nm)	Operational Temperature	Weight (kg)
RP2C	T10A	95	350	40/50	-35 ~ 100°C (-31 ~ 212°F)	0.15
RP3C	T3A	200	350	60/70		0.25
RP6C	T16A	380	350	200/215		0.55
RP8C	T18A	760	350	465/500		1.17

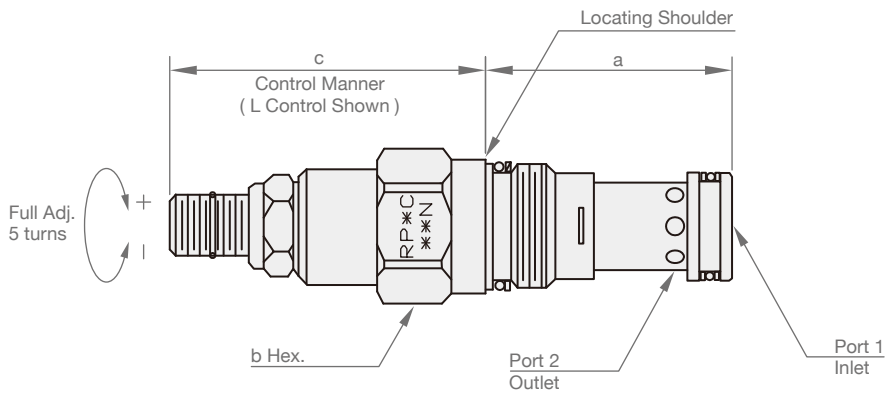
PERFORMANCE CURVES

► Typical Pressure Rise



DIMENSION

(UNIT : mm)



Model	a	b	c	
			L	K
RP2C	39.7	22.2	51	58
RP3C	47.8	28.6	54	61
RP6C	61.9	31.8	62	69
RP8C	79.4	41.3	71	78